

CONTENTS

LIST<<< Contents

1	GCS06 Energy Storage Connector (120A)-----	01
	GCS08 Energy Storage Connector (250A)-----	02
	GCS10 Energy Storage Connector (300A)-----	03
	GCS12 Energy Storage Connector (350A)-----	04
	GCS14 Energy Storage Connector (500A)-----	05
2	GCSE Bolt Connector Series (120A)-----	06
	GCSE Bolt Connector Series (250A)-----	07
	GCSE Bolt Connector Series (400A)-----	08
	GCS2Copper bar connector (250A)-----	09
	GCS2Copper bar connector (350A)-----	10
	GCS2Copper bar connector (600A)-----	11
3	SC070F 3+10 Stackable energy storage connector (70A)-----	12
	SC240G 4+20 Stackable energy storage connector (240A)-----	13
	SC240G 4+2+10 Stackable energy storage connector (240A)-----	14
	JC280 2-pin connector (40A)-----	15
	JC630 3-pin connector (40A)-----	16
	MSD Manual service switches (350A)-----	17
4	JC32P 32-pin connector (13A)-----	18
	JCPPT 2-pin plastic connector (300A)-----	19
	JCPPT 3-pin plastic connector (300A)-----	20
	JCMPT 2-pin metal connector (400A)-----	21
	JCMPT 2-pin metal connector (400A)-----	22
5	Liquid-cooled super charging gun (300A-800A)-----	23-24
	Product customization-----	25

GCS06 Energy Storage Connector (120A)

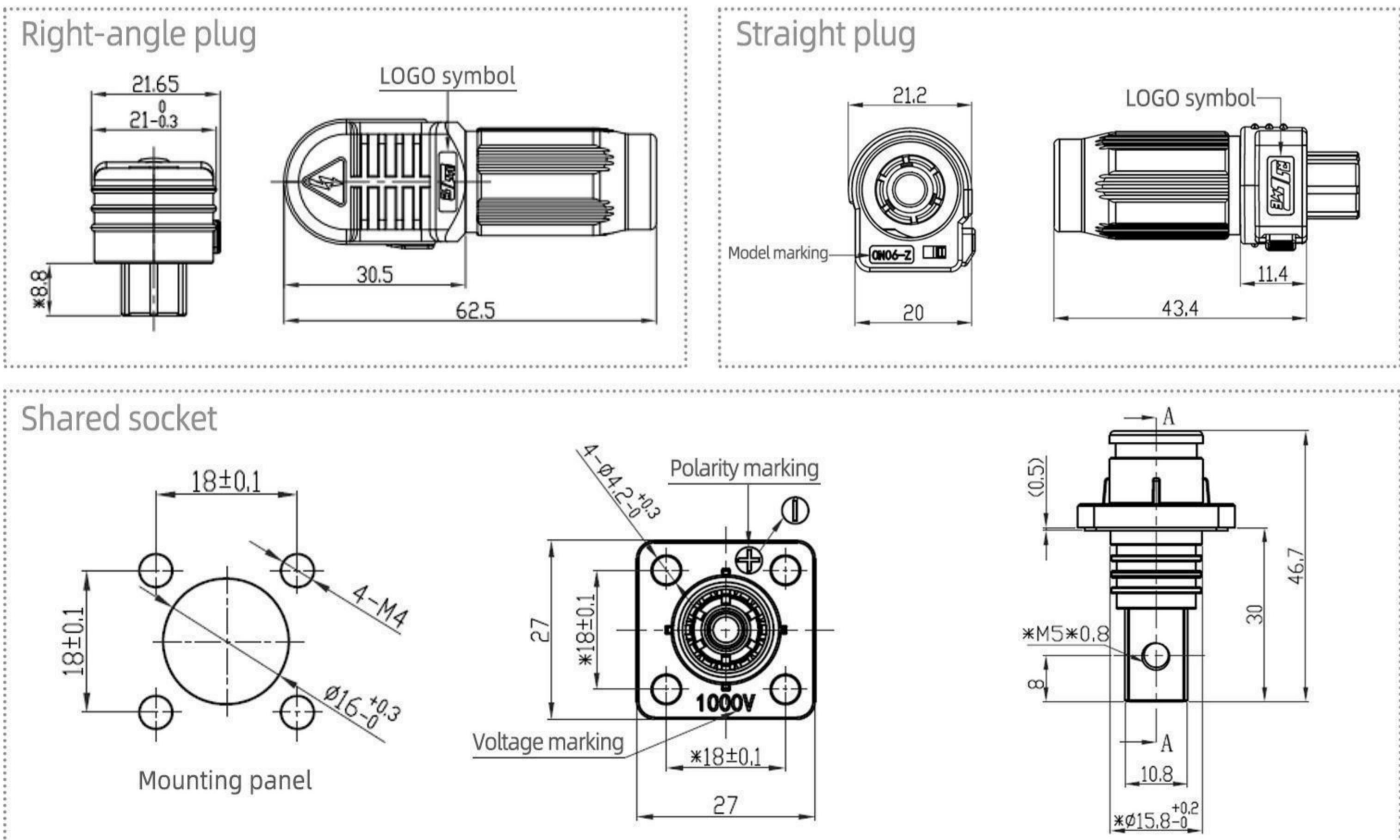


Product Features	
Plug	Available in right-angle and straight versions, featuring 360° free rotation for multi-directional cable routing
Receptacle	Arc resistant and waterproof design
Connection	Crown spring connection technology
Loose	Side press one key release
Protection	Finger-touch and anti-misinsertion protection
Color	With polarity color error - proof recognition

Technical parameters

Material	PA66/T2Y pure copper	Number of positions	Single pin
Rated current	70A/100A/120A	Rated voltage	1000V / 1500V DC
Contact resistance	≤0.5mΩ(100mA)	Insulation resistance	>5000MΩ (Normal temperature and humidity)
Plugging force	≤75N	Dielectric strength	4200V/6800V AC / min
Number of mating cycles	≥500 times	Environmental performance	IP67 / UL94 V-0
Applicable cables	10mm ² /16mm ² /25mm ²	Operating temperature	-40°C~125°C

Product dimensions



GCS08 Energy Storage Connector (250A)

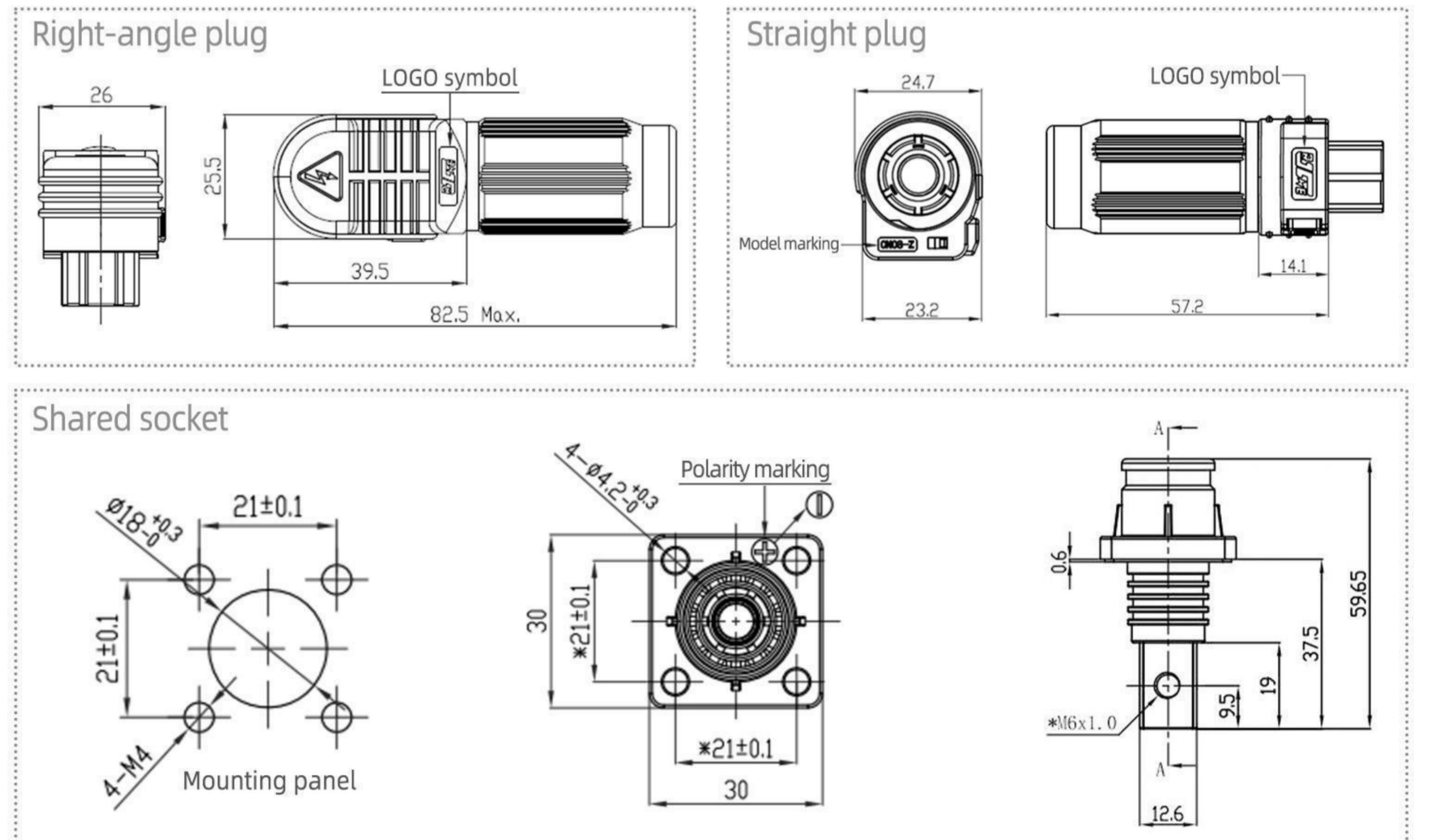


Product Features	
Plug	Available in right-angle and straight versions, featuring 360° free rotation for multi-directional cable routing
Receptacle	Arc resistant and waterproof design
Connection	Crown spring connection technology
Loose	Side press one key release
Protection	Finger-touch and anti-misinsertion protection
Color	With polarity color error - proof recognition

Technical parameters

Contact material	PA66/T2Y pure copper	Number of positions	Single pin
Rated current	150A/200A/250A	Rated voltage	1500V DC
Contact resistance	≤0.5mΩ(100mA)	Insulation resistance	>5000MΩ (Normal temperature and humidity)
Plugging force	≤75N	Dielectric strength	6800V AC / min
Number of mating cycles	≥500 times	Environmental Performance	IP67 / UL94 V-0
Applicable cables	35mm ² /50mm ² /70mm ²	Operating temperature	-40°C~125°C

Product dimensions



GCS10 Energy Storage Connector (300A)

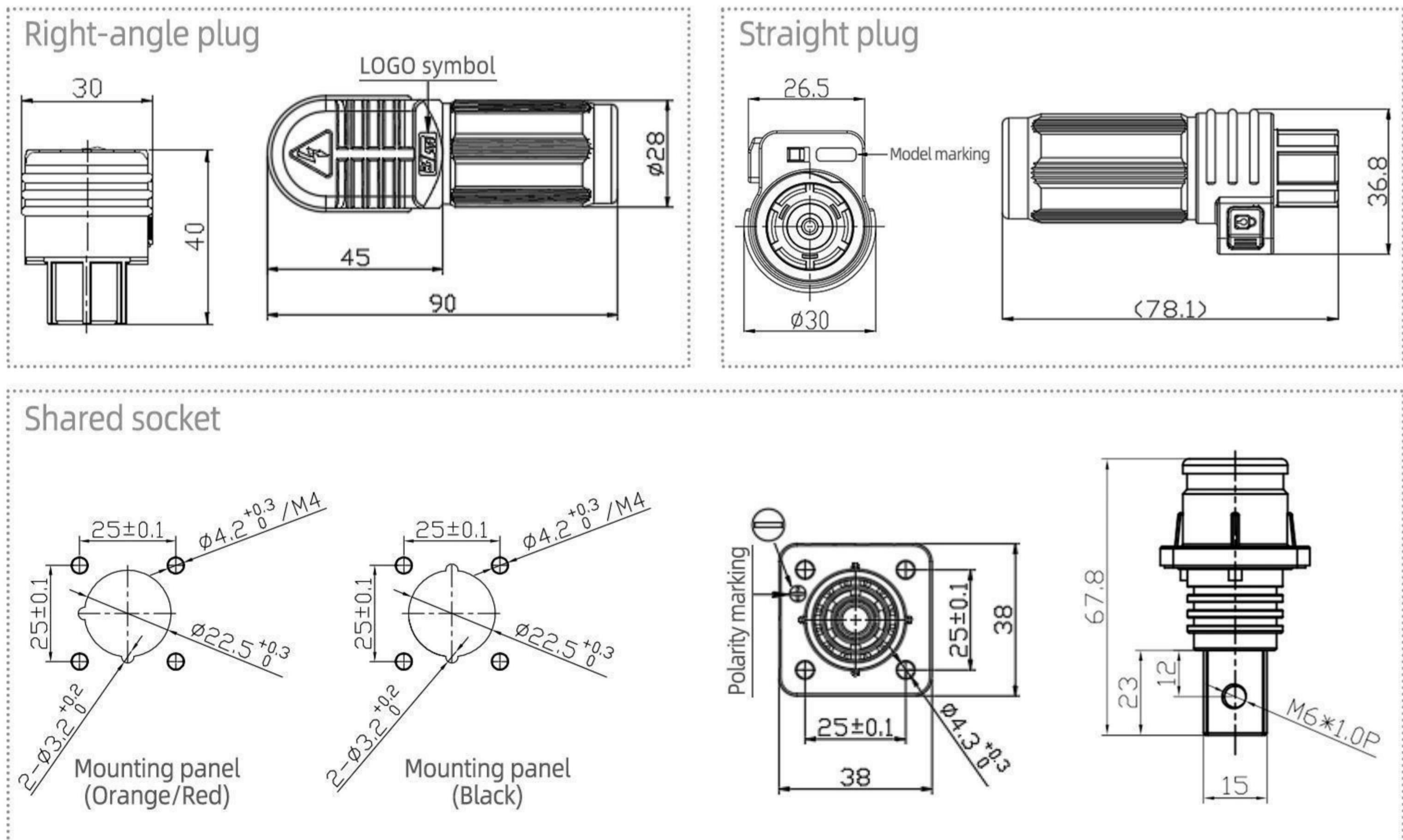


Product Features	
Plug	Available in right-angle and straight versions, featuring 360° free rotation for multi-directional cable routing
Receptacle	Arc resistant and waterproof design
Connection	Crown spring connection technology
Loose	Side press one key release
Protection	Finger-touch and anti-misinsertion protection
Color	With polarity color error - proof recognition

Technical parameters

Contact material	PA66/T2Y pure copper	Number of positions	Single pin
Rated current	200A/250A/300A	Rated voltage	1500V DC
Contact resistance	$\leq 0.5\text{m}\Omega(100\text{mA})$	Insulation resistance	$>5000\text{M}\Omega$ (Normal temperature and humidity)
Plugging force	$\leq 75\text{N}$	Dielectric strength	6800V AC / min
Number of mating cycles	≥ 500 times	Environmental Performance	IP67 / UL94 V-0
Applicable cables	50mm ² /70mm ² /95mm ²	Operating temperature	-40°C~125°C

Product dimensions



GCS12 Energy Storage Connector (350A)

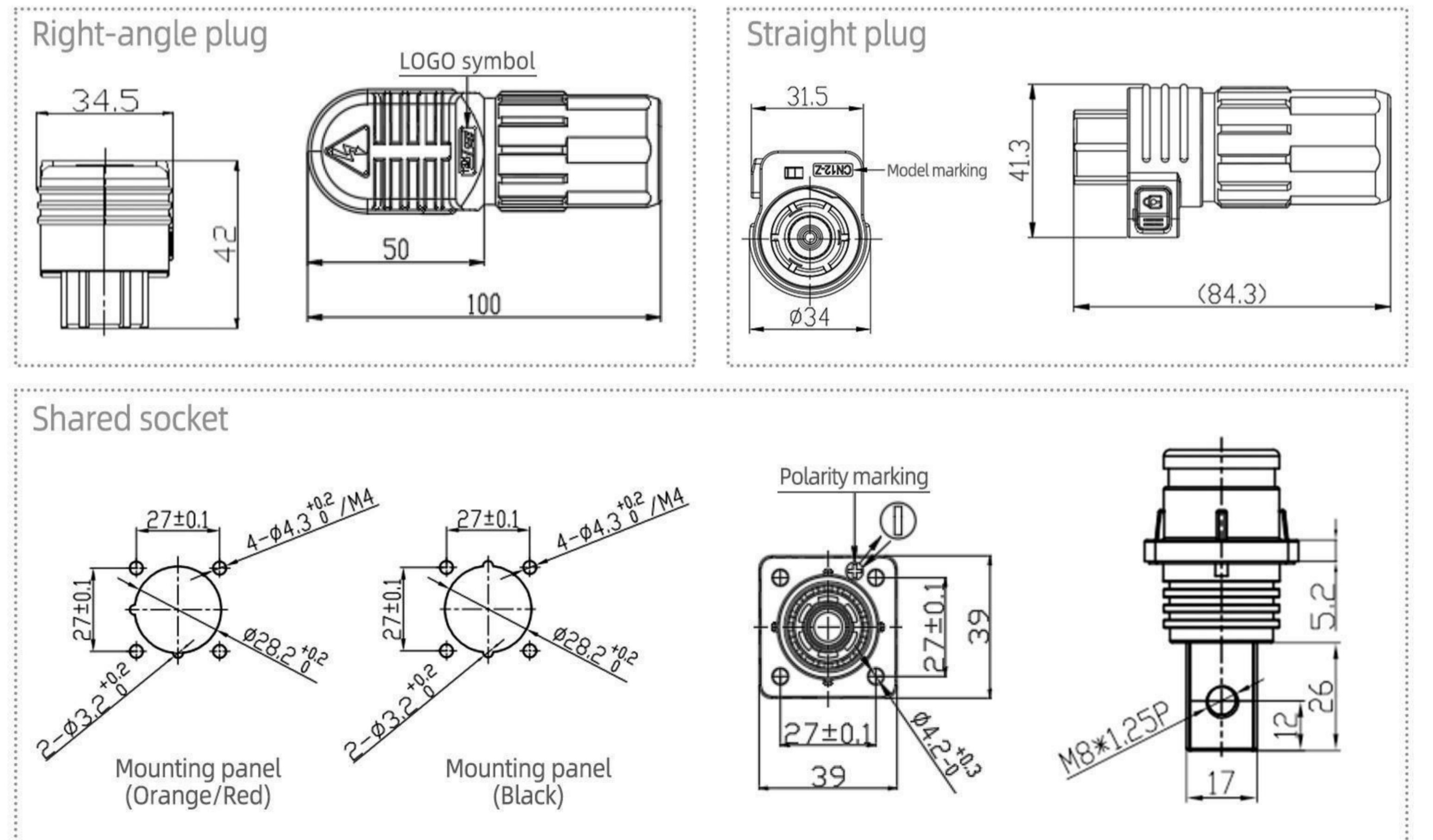


Product Features	
Plug	Available in right-angle and straight versions, featuring 360° free rotation for multi-directional cable routing
Receptacle	Arc resistant and waterproof design
Connection	Crown spring connection technology
Loose	Side press one key release
Protection	Finger-touch and anti-misinsertion protection
Color	With polarity color error - proof recognition

Technical parameters

Contact material	PA66/T2Y pure copper	Number of positions	Single pin
Rated current	250A/300A/350A	Rated voltage	1500V DC
Contact resistance	$\leq 0.5\text{m}\Omega(100\text{mA})$	Insulation resistance	$>5000\text{M}\Omega$ (Normal temperature and humidity)
Plugging force	$\leq 75\text{N}$	Dielectric strength	6800V AC / min
Number of mating cycles	≥ 500 times	Environmental Performance	IP67 / UL94 V-0
Applicable cables	70mm ² /95mm ² /120mm ²	Operating temperature	-40°C~125°C

Product dimensions



GCS14 Energy Storage Connector (500A)

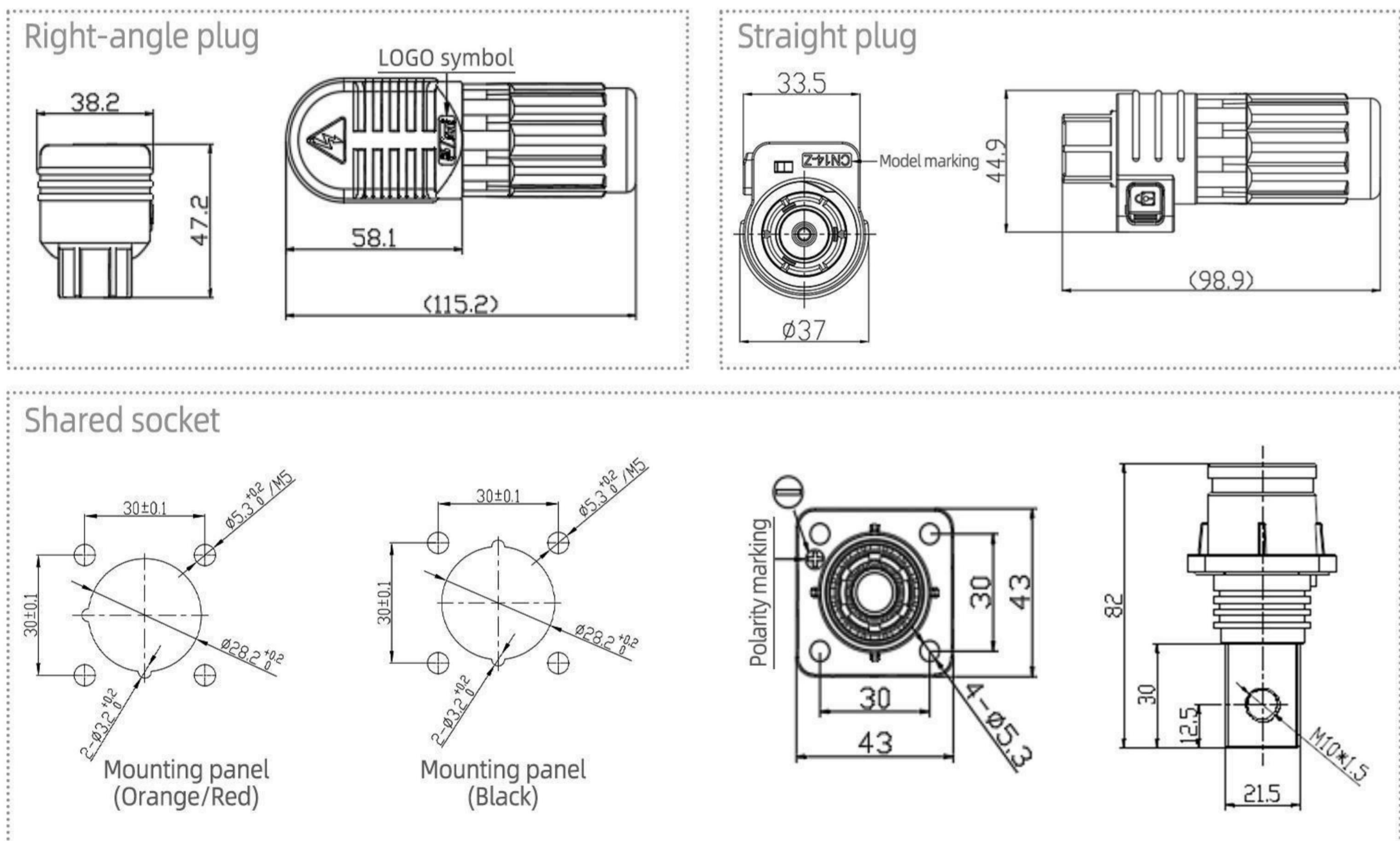


Product Features	
Plug	Available in right-angle and straight versions, featuring 360° free rotation for multi-directional cable routing
Receptacle	Arc resistant and waterproof design
Connection	Crown spring connection technology
Loose	Side press one key release
Protection	Finger-touch and anti-misinsertion protection
Color	With polarity color error - proof recognition

Technical parameters

Contact material	PA66/T2Y pure copper	Number of positions	Single pin
Rated current	400A/450A/500A	Rated voltage	1500V DC
Contact resistance	$\leq 0.5m\Omega$ (100mA)	Insulation resistance	$>5000M\Omega$ (Normal temperature and humidity)
Plugging force	$\leq 75N$	Dielectric strength	6800V AC / min
Number of mating cycles	≥ 500 times	Environmental Performance	IP67 / UL94 V-0
Applicable cables	150mm ² /185mm ²	Operating temperature	-40°C~125°C

Product dimensions



GCSE Bolt Connector Series (120A)

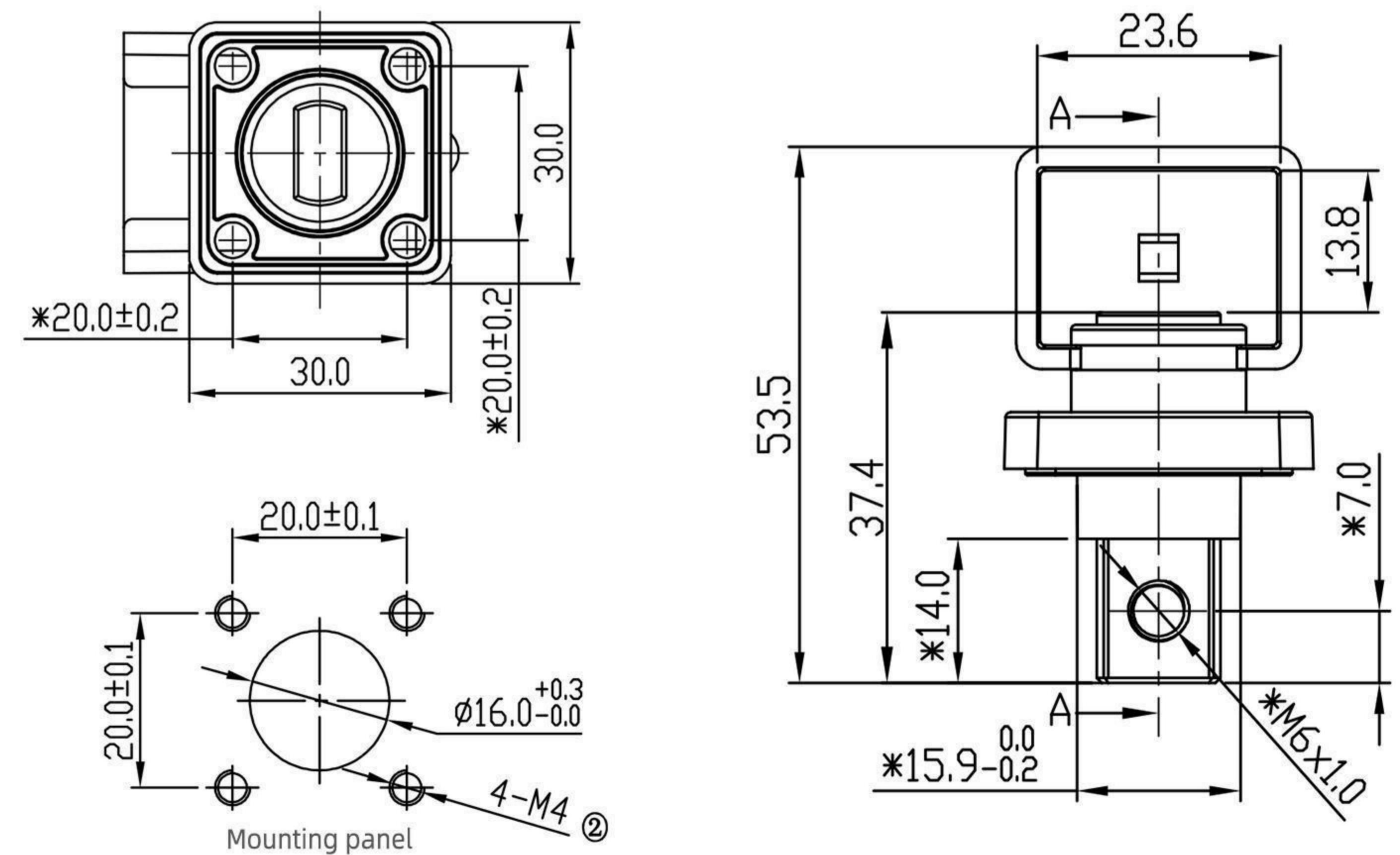


Product Features	
Outgoing line	360° rotation, multi-directional outlet
Structure	Arc resistance design
Characteristic	Low temperature rise, safe and reliable connection
Color	With orange, red, and black polarity color coding for error-proof

Technical parameters

Material	PA66/H59 Copper	Rated voltage	600V DC
Insulation resistance	$>5000M\Omega$ (Normal temperature and humidity)	Rated current	70A/100A/120A
Dielectric strength	3000V AC / min	Salt spray	NSS 96h
Applicable cable lug	JG25-6 (Max)	Environmental performance	IP67/UL94 V-0
Applicable cables	10/16/25mm ²	Operating temperature	-40°C ~ 125°C
Mounting screw	M4 ×10/2N.m	Terminal screw	M6 ×12/6N.m

Product dimensions



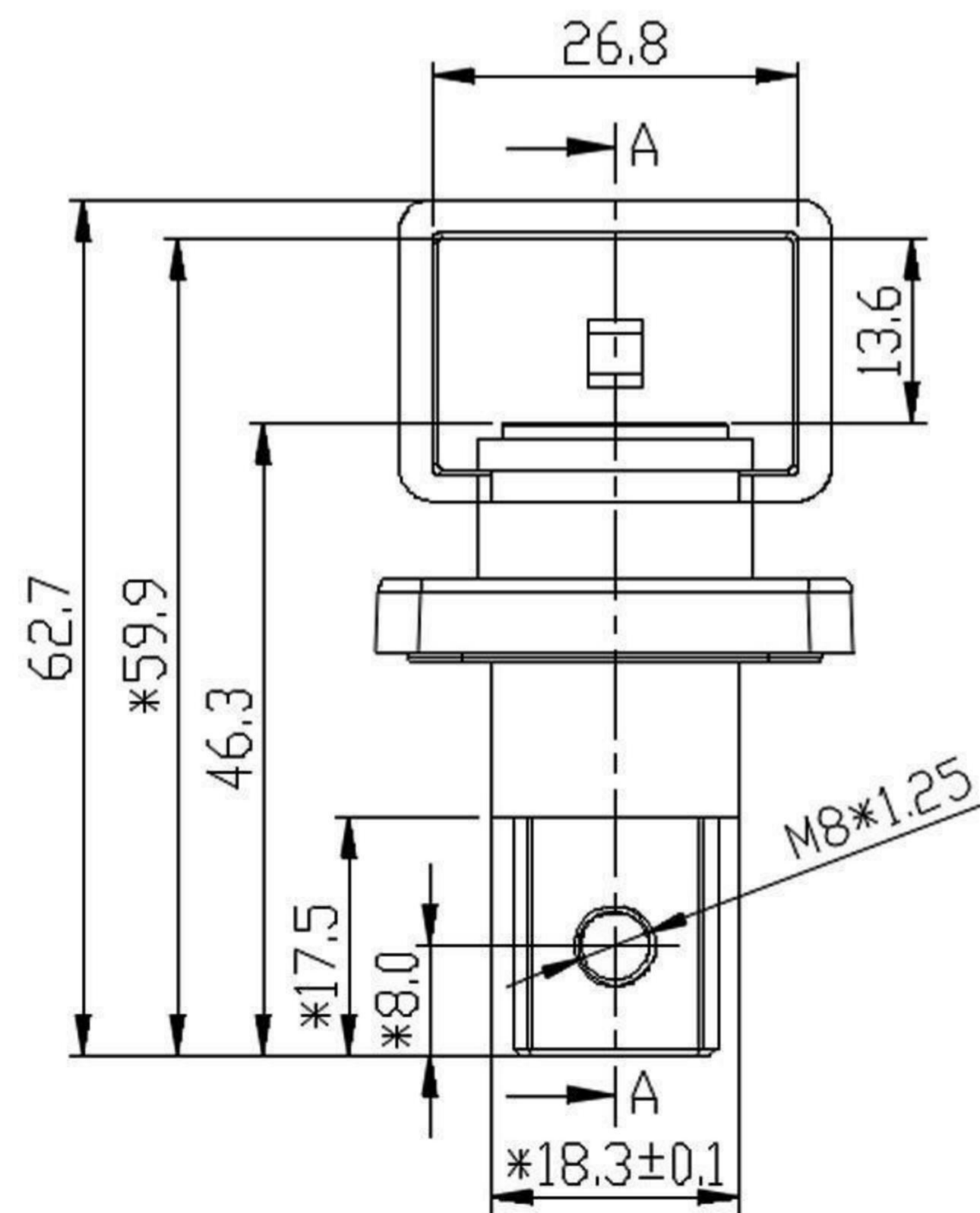
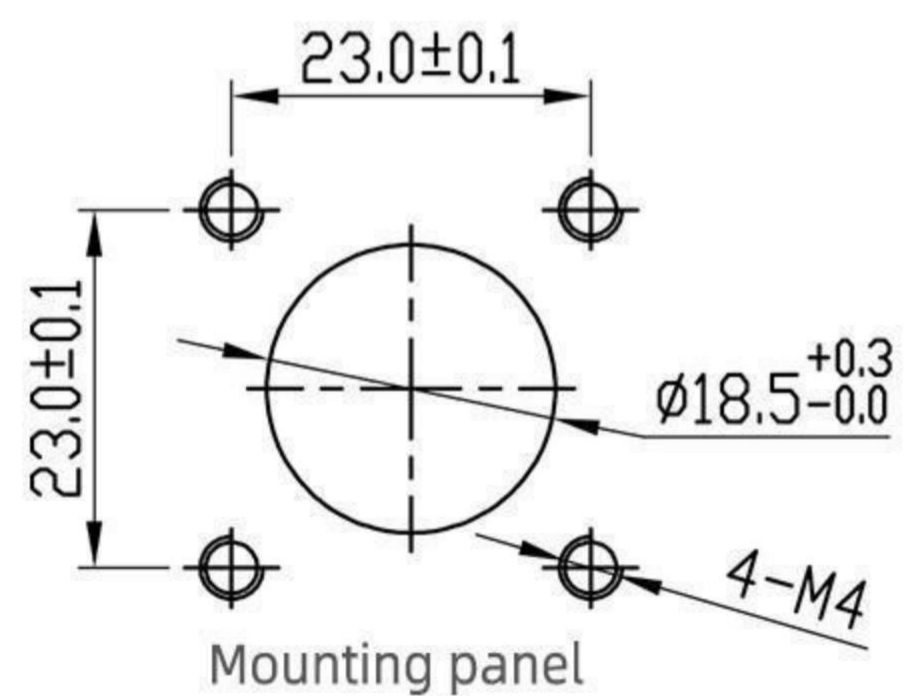
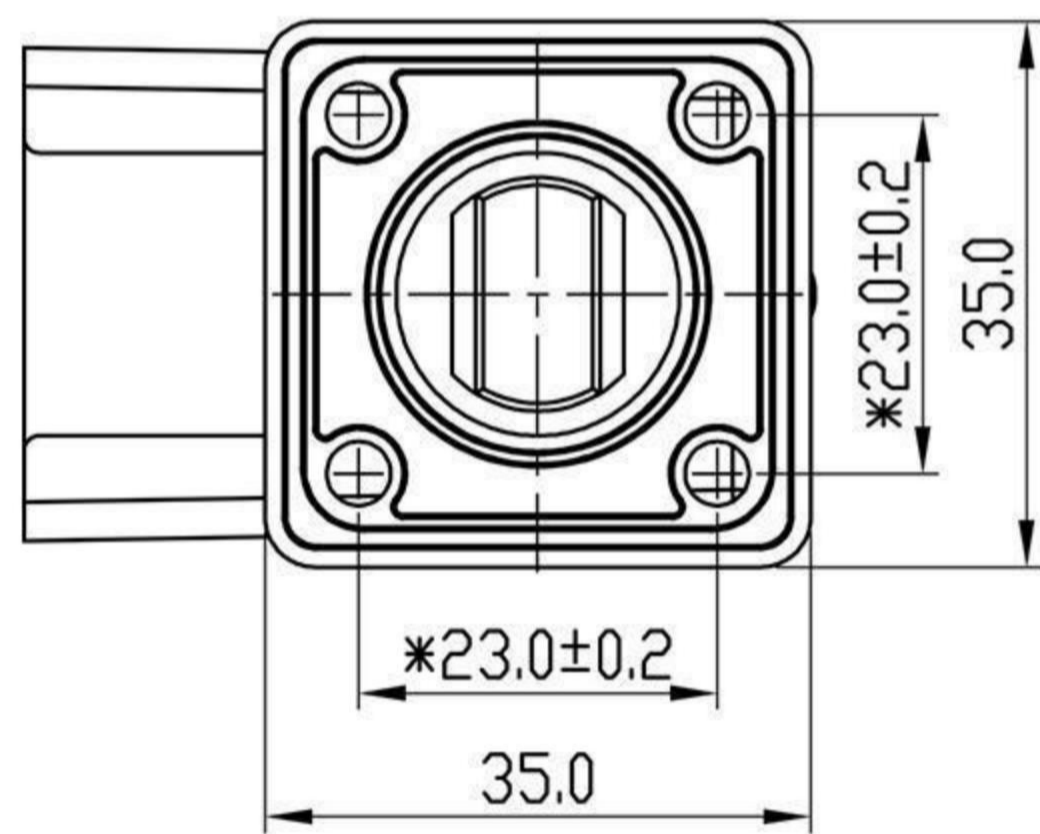


Product Features	
Outgoing line	360° rotation, multi-directional outlet
Structure	Arc resistance design
Characteristic	Low temperature rise, safe and reliable connection
Color	With orange, red, and black polarity color coding for error-proof

Technical parameters

Material	PA66/H59 Copper	Rated voltage	1000V DC
Insulation resistance	>5000MΩ (Normal temperature and humidity)	Rated current	150A/200A/250A
Dielectric strength	4200V AC / min	Salt spray	NSS 96h
Applicable cable lug	JG50-6 (Max)	Environmental performance	IP67/UL94 V-0
Applicable cables	50mm ² (Max)	Operating temperature	- 40°C ~ 125°C
Mounting screw	M4 ×10/2N.m	Terminal screw	M8 ×14/6N.m

Product dimensions

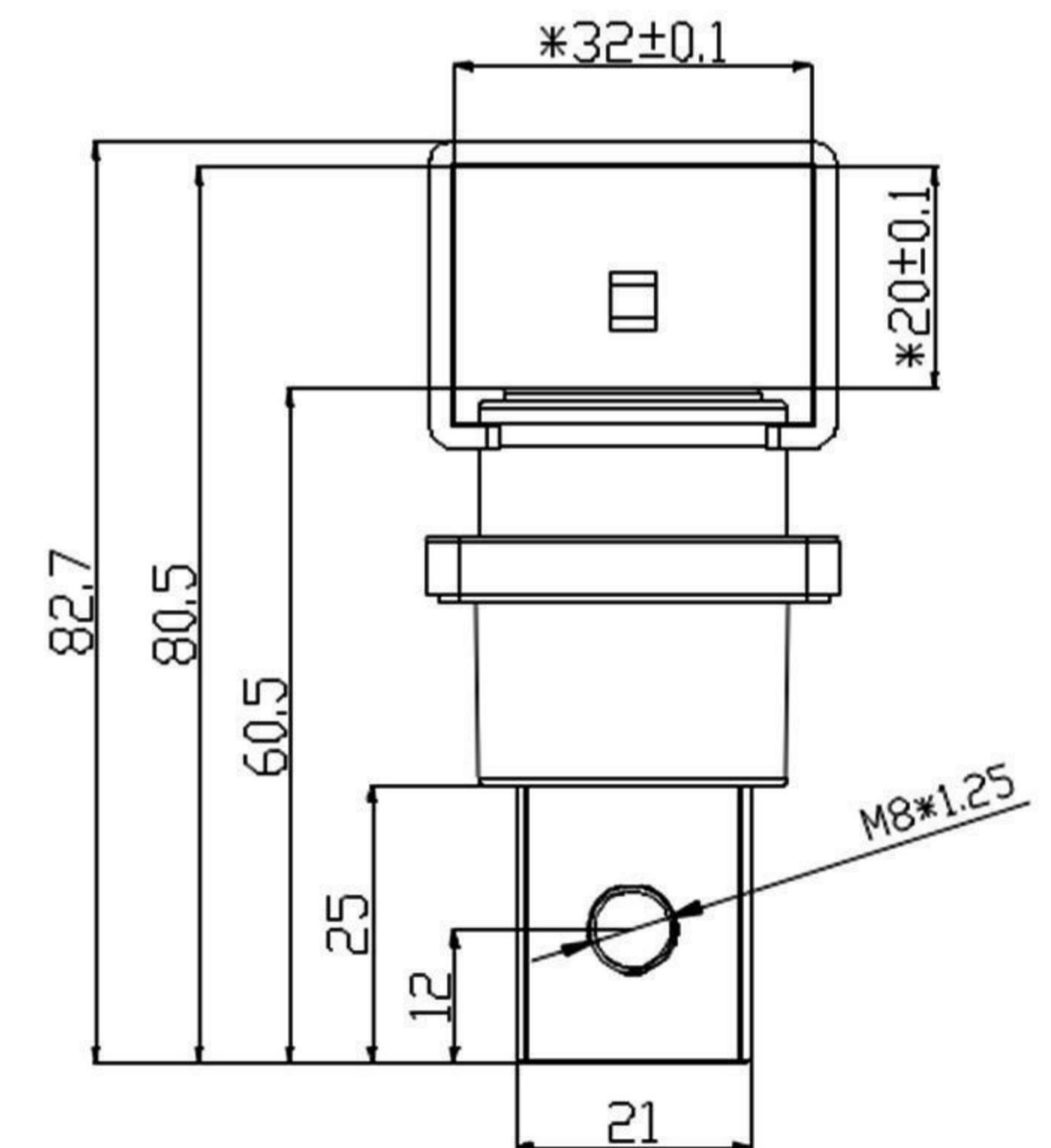
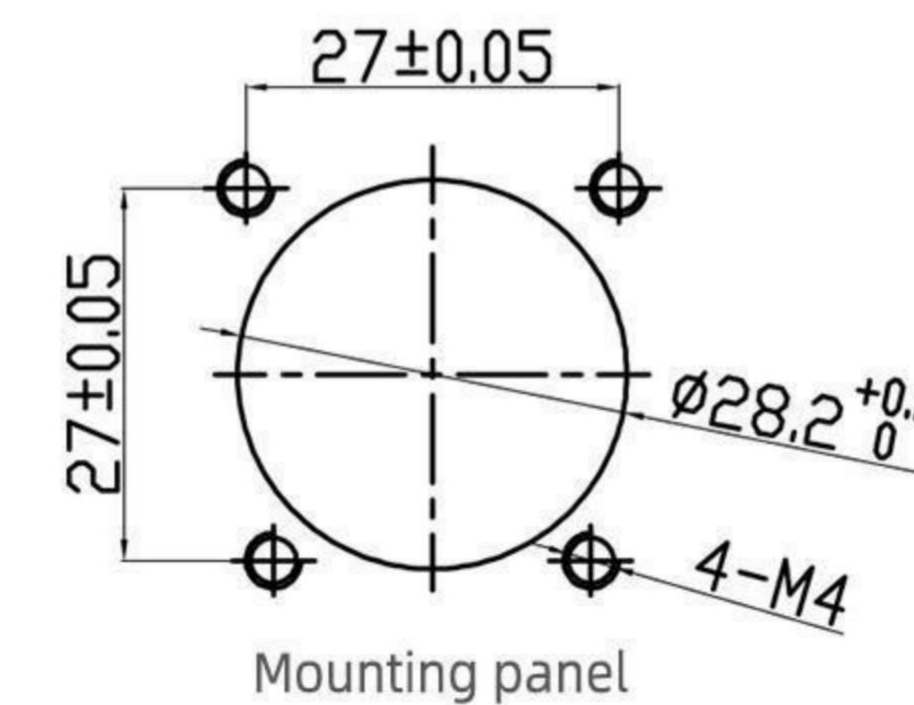
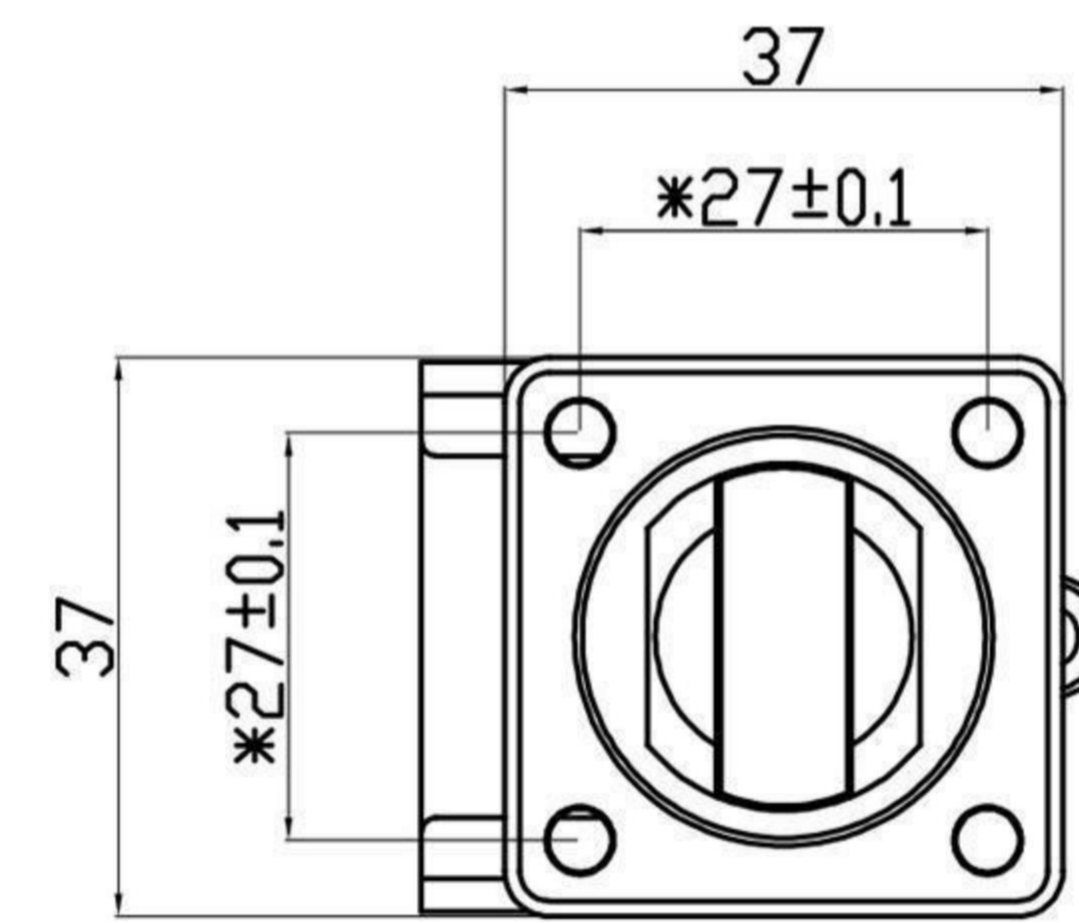


Product Features	
Outgoing line	360° rotation, multi-directional outlet
Structure	Arc resistance design
Characteristic	Low temperature rise, safe and reliable connection
Color	With orange, red, and black polarity color coding for error-proof

Technical parameters

Material	PA66/H59 Copper	Rated voltage	1000V DC
Insulation resistance	>5000MΩ (Normal temperature and humidity)	Rated current	300A/350A/400A
Dielectric strength	4200V AC / min	Salt spray	NSS 96h
Applicable cable lug	JG120-10 (Max)	Environmental performance	IP67/UL94 V-0
Applicable cables	120mm ² (Max)	Operating temperature	- 40°C ~ 125°C
Mounting screw	M4 ×10/2N.m	Terminal screw	M8 ×18/12N.m

Product dimensions



GCS2 Copper bar connector (250A)

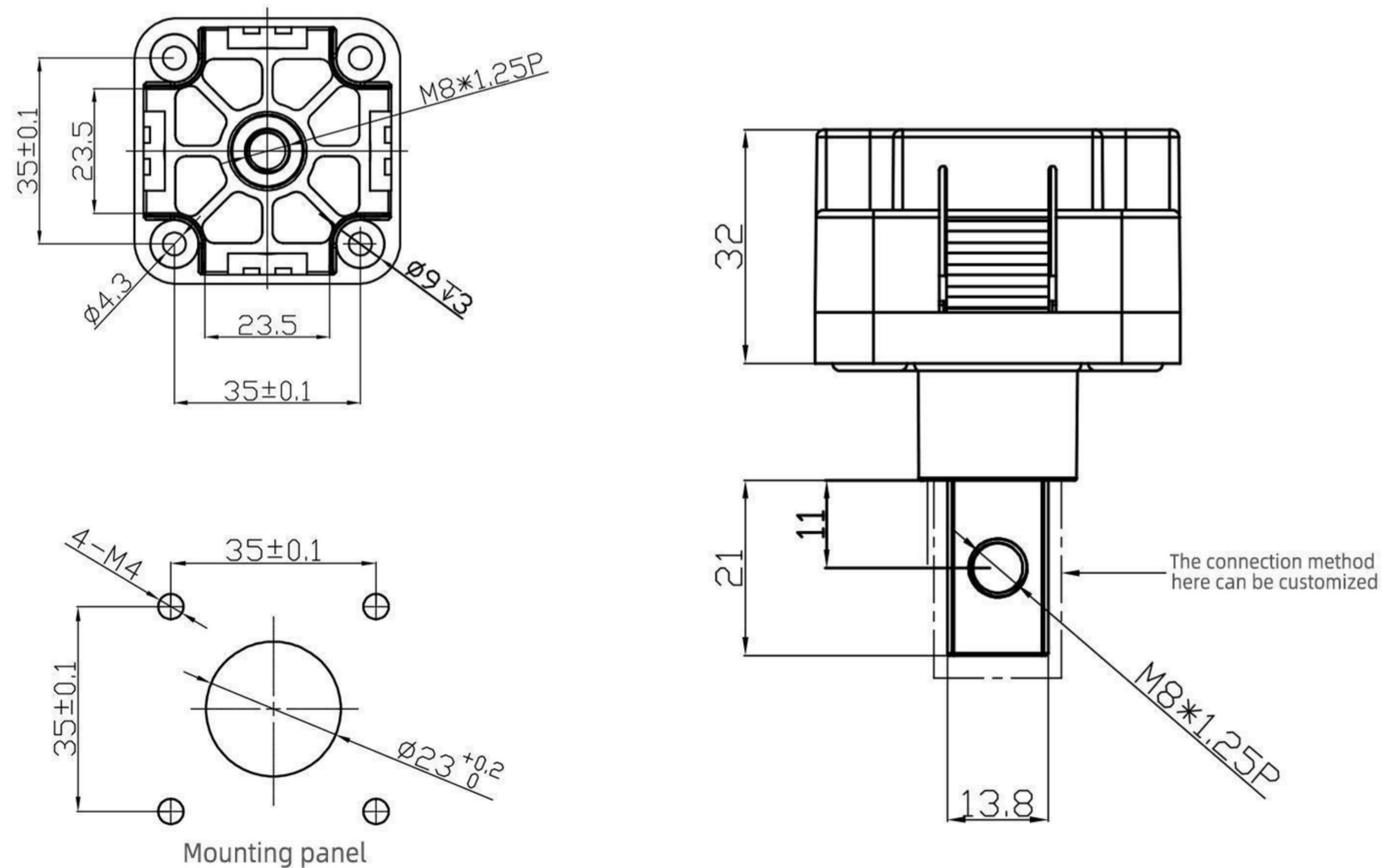


Product Features	
Wiring	Busbars can exit from four sides
Structure	Arc resistant and waterproof design
Performance	Low temperature rise, safe and reliable connections
Connection	Enables battery PACK series and parallel connection
Color	With orange, red, and black polarity color coding for error-proof

Technical parameters

Material	PA66/T2Y pure copper with nickel plating	Rated voltage	1500V DC
Insulation resistance	>5000MΩ (Normal temperature and humidity)	Rated current	200A/250A
Dielectric strength	6800V AC / min	Salt spray	NSS 96h
Applicable cable lug	JG50-8 / JG70-8	Environmental performance	IP67 / UL94 V-0
Applicable cables	50/70mm ²	Operating temperature	- 40°C ~ 125°C
Mounting screw	M4 x8/2N.m	Terminal screw	M8 x16/12N.m

Product dimensions



GCS2 Copper bar connector (350A)

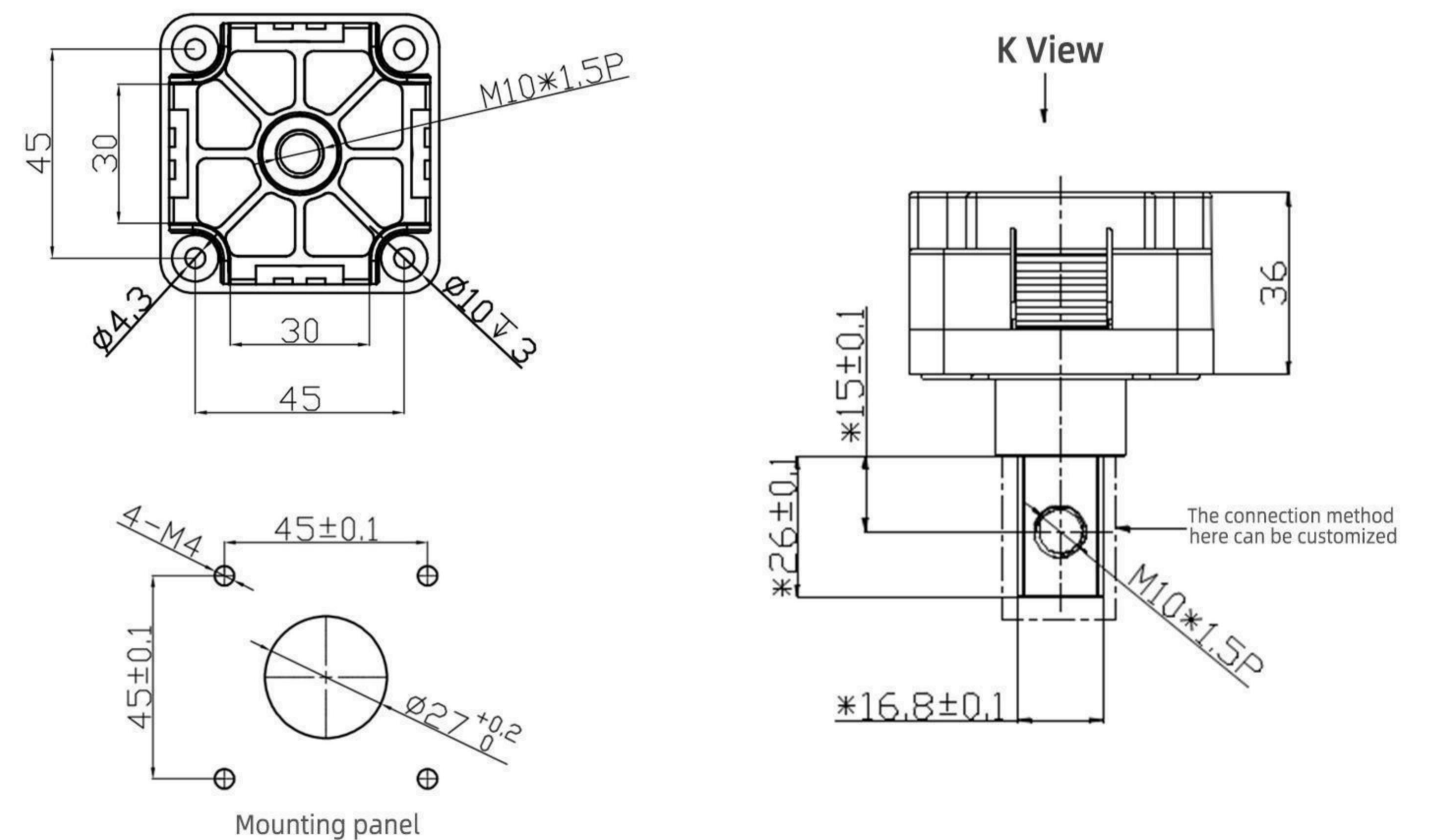


Product Features	
Wiring	Busbars can exit from four sides
Structure	Arc resistant and waterproof design
Performance	Low temperature rise, safe and reliable connections
Connection	Enables battery PACK series and parallel connection
Color	With orange, red, and black polarity color coding for error-proof

Technical parameters

Material	PA66/T2Y pure copper with nickel plating	Rated voltage	1500V DC
Insulation resistance	>5000MΩ (Normal temperature and humidity)	Rated current	300A/350A
Dielectric strength	6800V AC / min	Salt spray	NSS 96h
Applicable cable lug	JG95-10 / JG120-10	Environmental performance	IP67 / UL94 V-0
Applicable cables	95/120mm ²	Operating temperature	- 40°C ~ 125°C
Mounting screw	M4 x10/2N.m	Terminal screw	M10 x18/25N.m

Product dimensions



GCS2 Copper bar connector (600A)

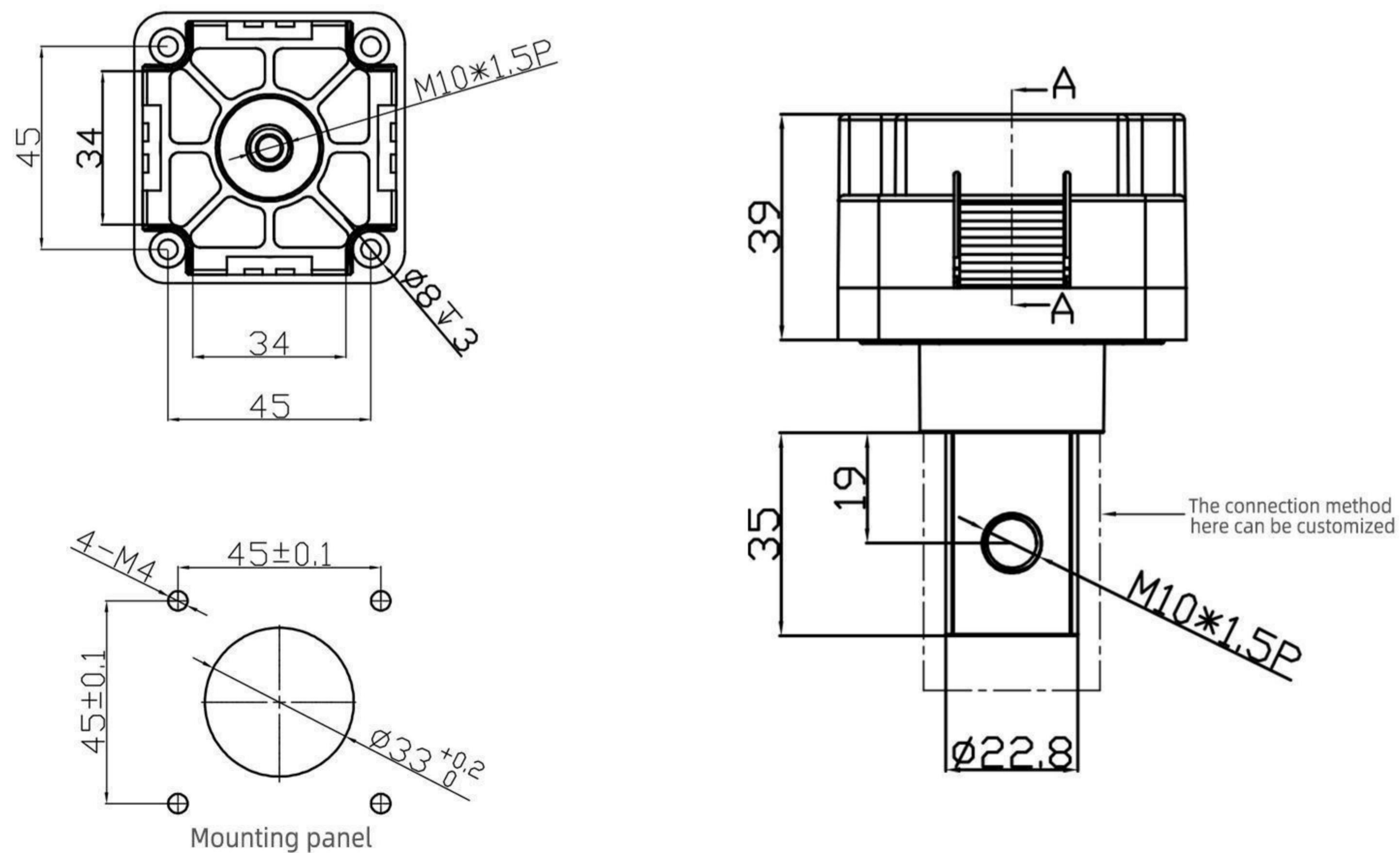


Product Features	
Wiring	Busbars can exit from four sides
Structure	Arc resistant and waterproof design
Performance	Low temperature rise, safe and reliable connections
Connection	Enables battery PACK series and parallel connection
Color	With orange, red, and black polarity color coding for error-proof

Technical parameters

Material	PA66/T2Y pure copper with nickel plating	Rated voltage	1500V DC
Insulation resistance	>5000MΩ (Normal temperature and humidity)	Rated current	500A/600A
Dielectric strength	6800V AC / min	Salt spray	NSS 96h
Applicable cable lug	JG185-10 (Max)	Environmental performance	IP67 / UL94 V-0
Applicable cables	185mm ² (Max)	Operating temperature	- 40°C ~ 125°C
Mounting screw	M4 x10/2N.m	Terminal screw	M 10 x20/25N.m

Product dimensions



SC070F 3+10 Stackable energy storage connector (70A)

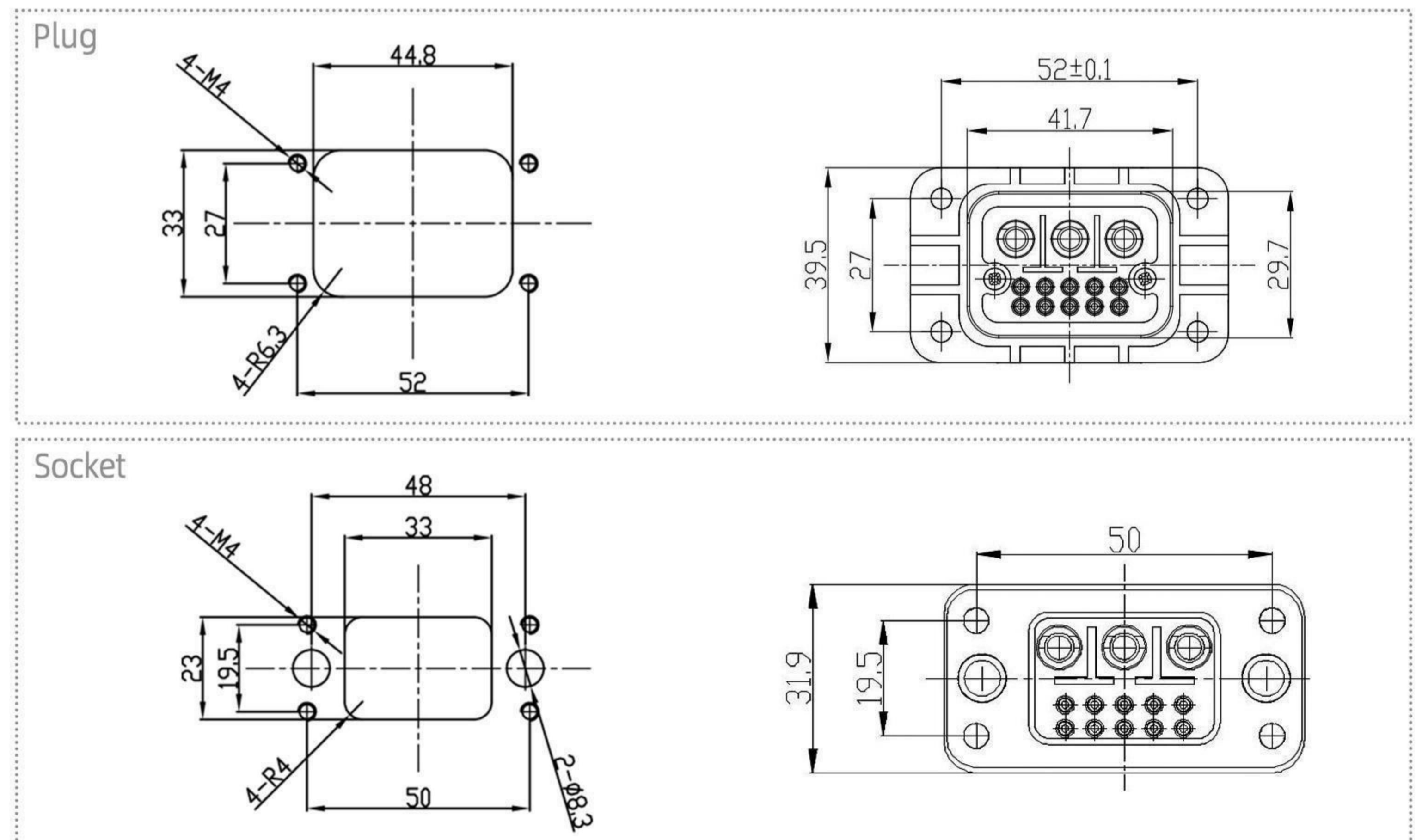


Product Features	
Plug	3 Power Pins +10 Signal Pins
Receptacle	3 Power Pins +10 Signal Pins
Connection	With a floating-type design
Protection	No water proof

Technical parameters

Material	PA66 / Pure Copper (Gold-Plated / Silver-Plated)	Rated voltage	Power terminal: 600VDC Signal terminal: 48VDC
Resistance	≤ 0.5 mΩ (100mA)	Rated current	Power terminal: 70A Signal terminal: 10A
Insulation resistance	>5000MΩ (Normal temperature and humidity)	Salt spray	NSS 96h
Dielectric strength	3000V AC/min	Flame retardant rating	UL94 V-0
Mounting screw	M4/2N.m	Operating temperature	- 40°C ~ 125°C

Product dimensions



SC240G 4+20 Stackable energy storage connector (240A)



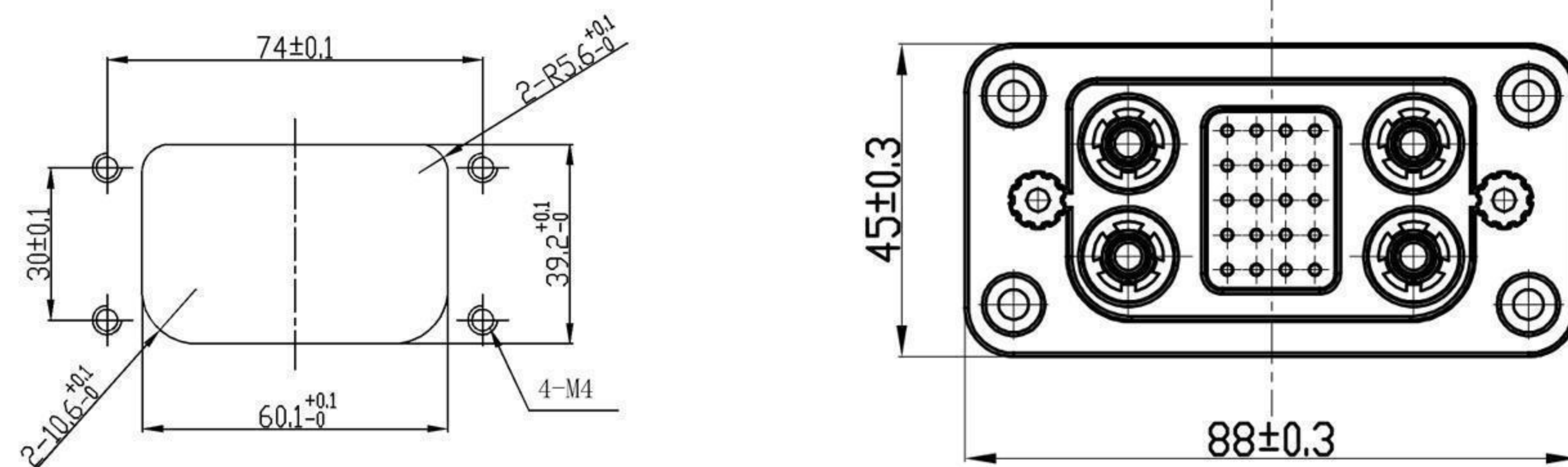
Product Features	
Plug	4 Power Pins + 20 Signal Pins
Receptacle	4 Power Pins + 20 Signal Pins
Connection	With a threaded-hole fixing design
Waterproof	IP67 waterproof

Technical parameters

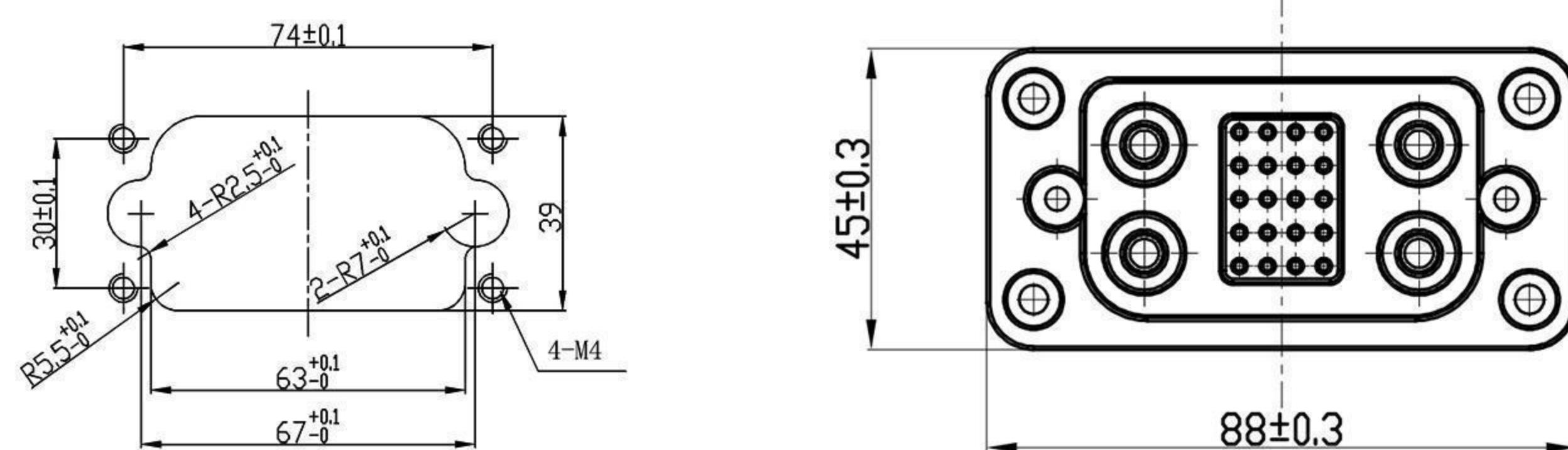
Material	PA66/T2Y pure copper silver-plated	Rated voltage	Main power terminal: 1500VDC Signal terminal: 48VDC
Environmental performance	IP67 / UL94 V-0	Rated current	Main power terminal: 2 × 120A Signal terminal: 10A
Contact resistance	≤ 0.5 mΩ (100mA)	Insulation resistance	>5000MΩ (Normal temperature and humidity)
Applicable cable lug	JG25-6 (Max)	Dielectric strength	6800V AC / min
Salt spray	NSS 96h	Operating temperature	- 40°C ~ 125°C
Mounting screw	M4 ×6/2N.m	Terminal screw	M5 ×10/3 .5 N.m

Product dimensions

Plug



Socket



SC240G 4+2+10 Stackable energy storage connector (240A)



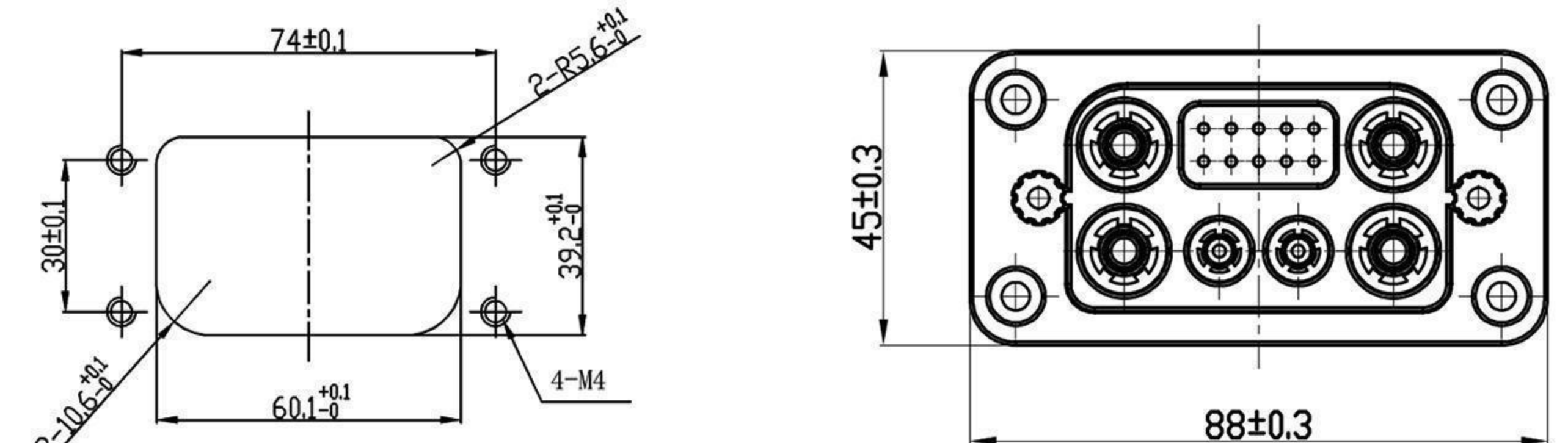
Product Features	
Plug	4 Power Pins + 2 Battery heating pins +10 Signal Pins
Receptacle	4 Power Pins + 2 Battery heating pins +10 Signal Pins
Connection	With a threaded-hole fixing design
Waterproof	IP67 waterproof

Technical parameters

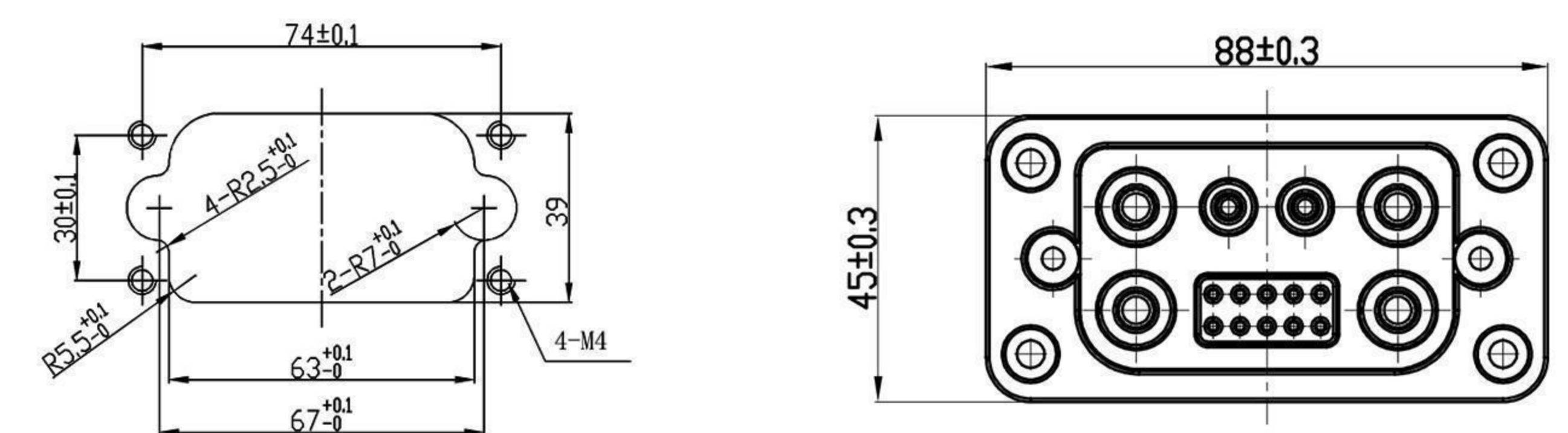
Material	PA66/T2Y pure copper silver-plated	Rated voltage	Main power terminal: 1500VDC / Auxiliary power terminal: 600VDC / Signal terminal: 48VDC
Environmental performance	IP67 / UL94 V-0	Rated current	Main power terminals: 2 × 120A / Auxiliary power terminals: 50A / Signal terminals: 10A
Contact resistance	≤ 0.5 mΩ (100mA)	Insulation resistance	>5000MΩ (Normal temperature and humidity)
Applicable cable lug	JG25-6 (Max)	Dielectric strength	6800V AC / min
Salt spray	NSS 96h	Operating temperature	- 40°C ~ 125°C
Mounting screw	M4 ×6/2N.m	Terminal screw	M5 ×10/3 .5 N.m

Product dimensions

Plug



Socket



JC280 2-pin connector (40A)



Product Features

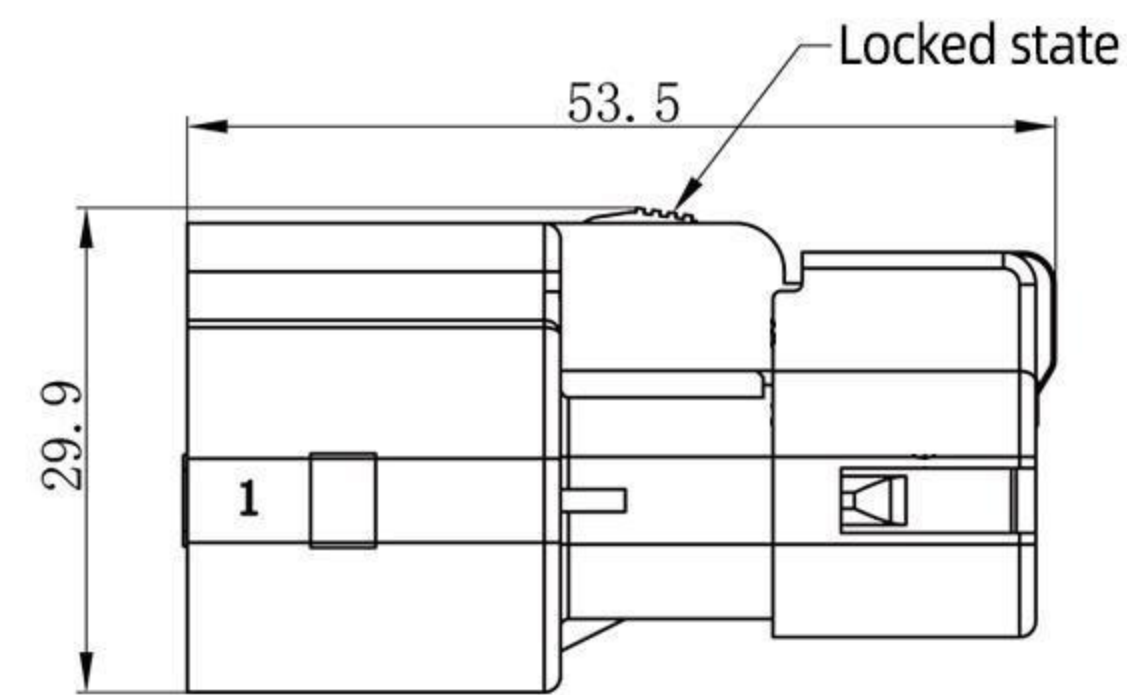
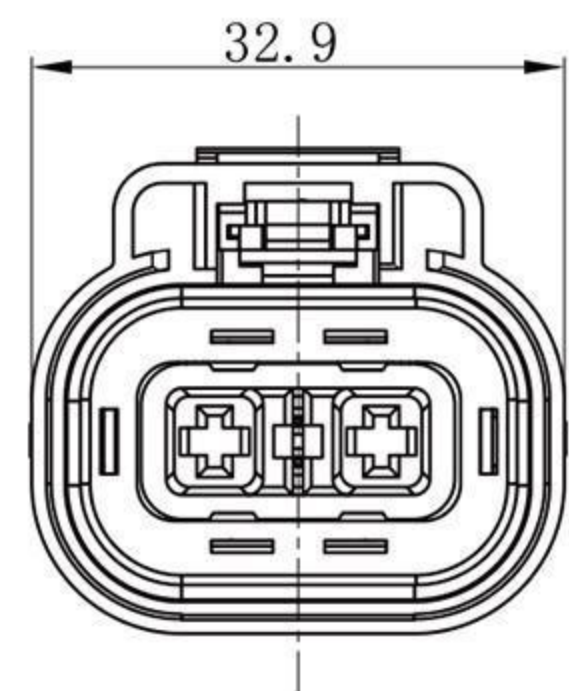
Install	Wire-to-board mounting
Range	Cable size range (2.5-6 mm ²)
Optional	High voltage interlock optional
Keyway	Multiple foolproof keyway options available

Technical parameters

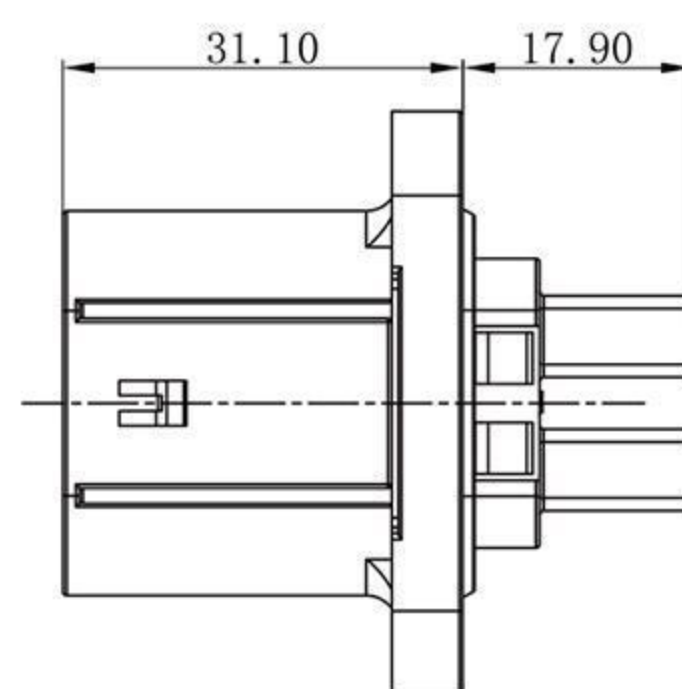
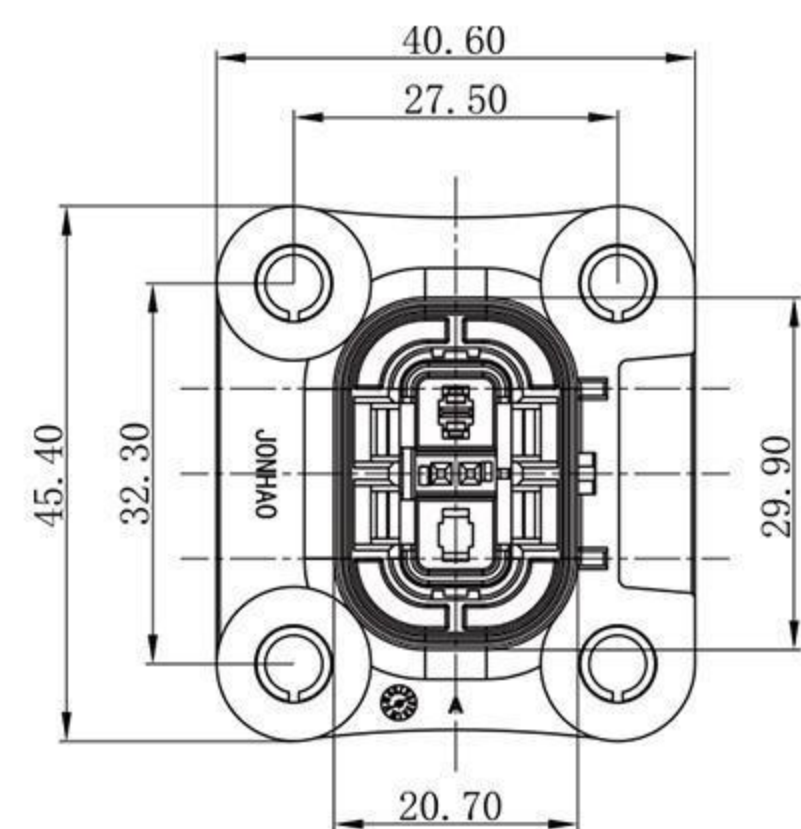
Rated current	20A/30A/40A	Number of positions	2 pins
Rated voltage	800V DC	Shielding	360° shielding
Insulation resistance	>200MΩ	Number of mating cycles	100 times/ Min
Environmental performance	IP67 / IP6K9K / IP2XB	Operating temperature	-40~125°C
Applicable cables	2.5mm ² / 4mm ² /6mm ²	Flame retardant rating	UL94 V-0

Product dimensions

Plug



Socket



JC630 3-pin connector (40A)



Product Features

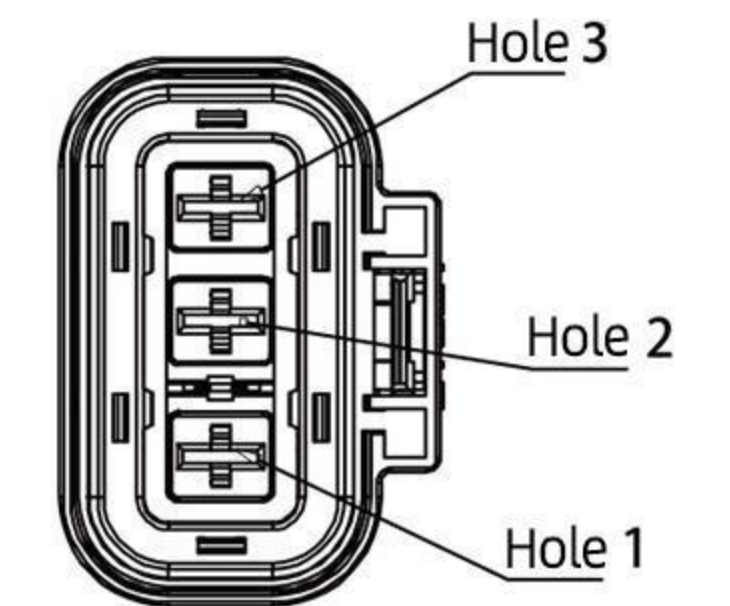
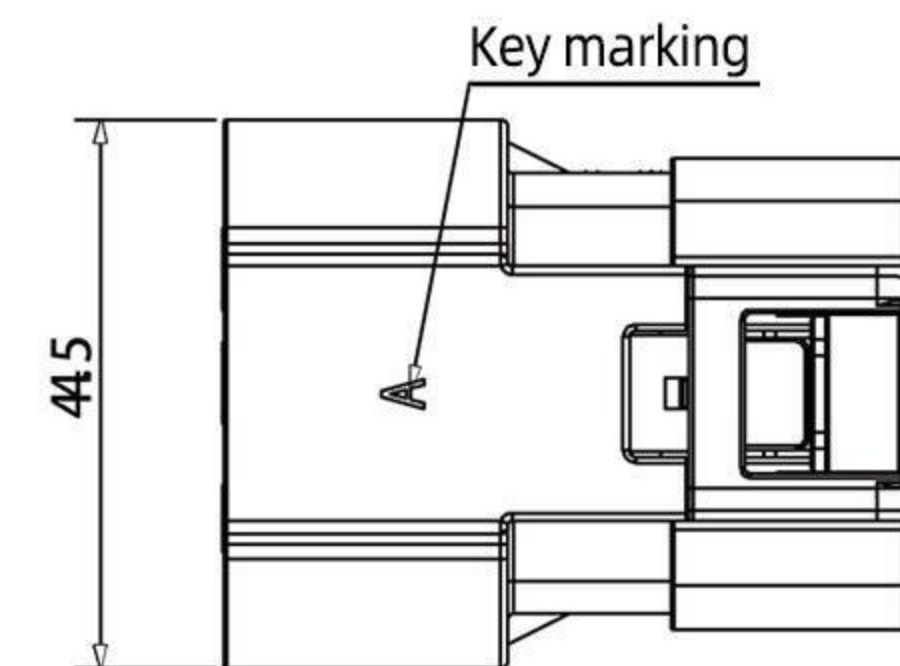
Install	Wire-to-board mounting
Range	Cable size range (2.5-6 mm ²)
Optional	High voltage interlock optional
Keyway	Multiple foolproof keyway options available

Technical parameters

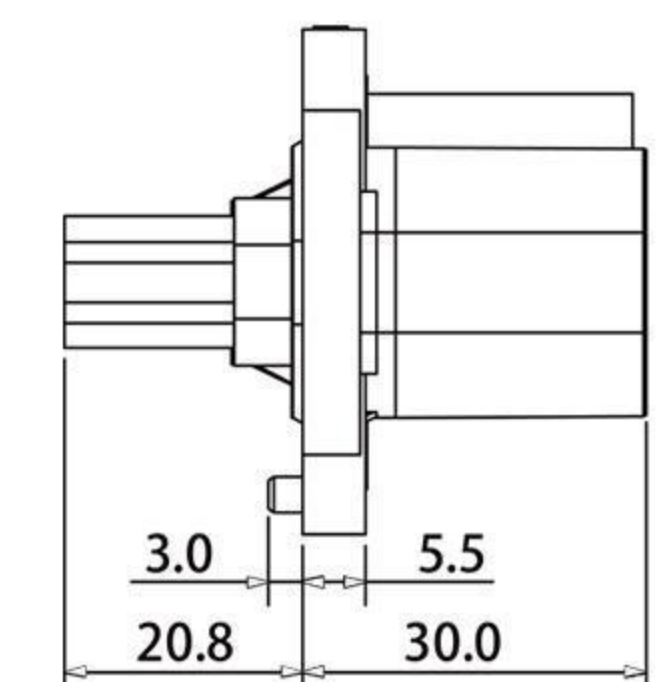
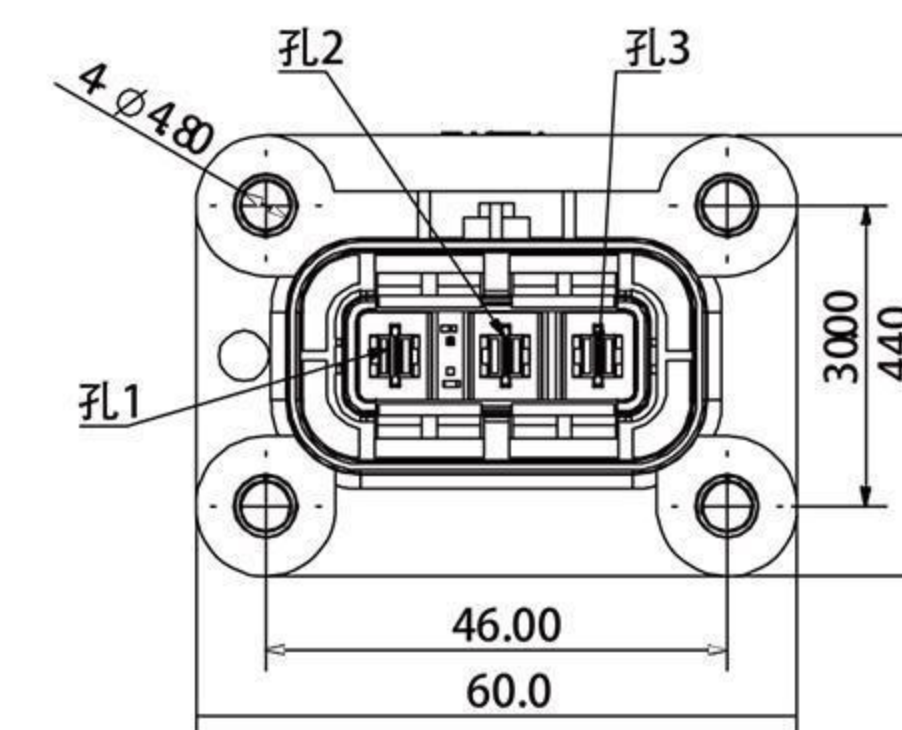
Rated current	20A/30A/40A	Number of positions	3 pins
Rated voltage	1000V DC	Shielding	360° shielding
Insulation resistance	2GΩ	Number of mating cycles	100 times/ Min
Environmental performance	IP68 / IP6K9K	Operating temperature	-40~125°C
Applicable cables	2.5mm ² / 4mm ² /6mm ²	Flame retardant rating	UL94 V-0

Product dimensions

Plug



Socket



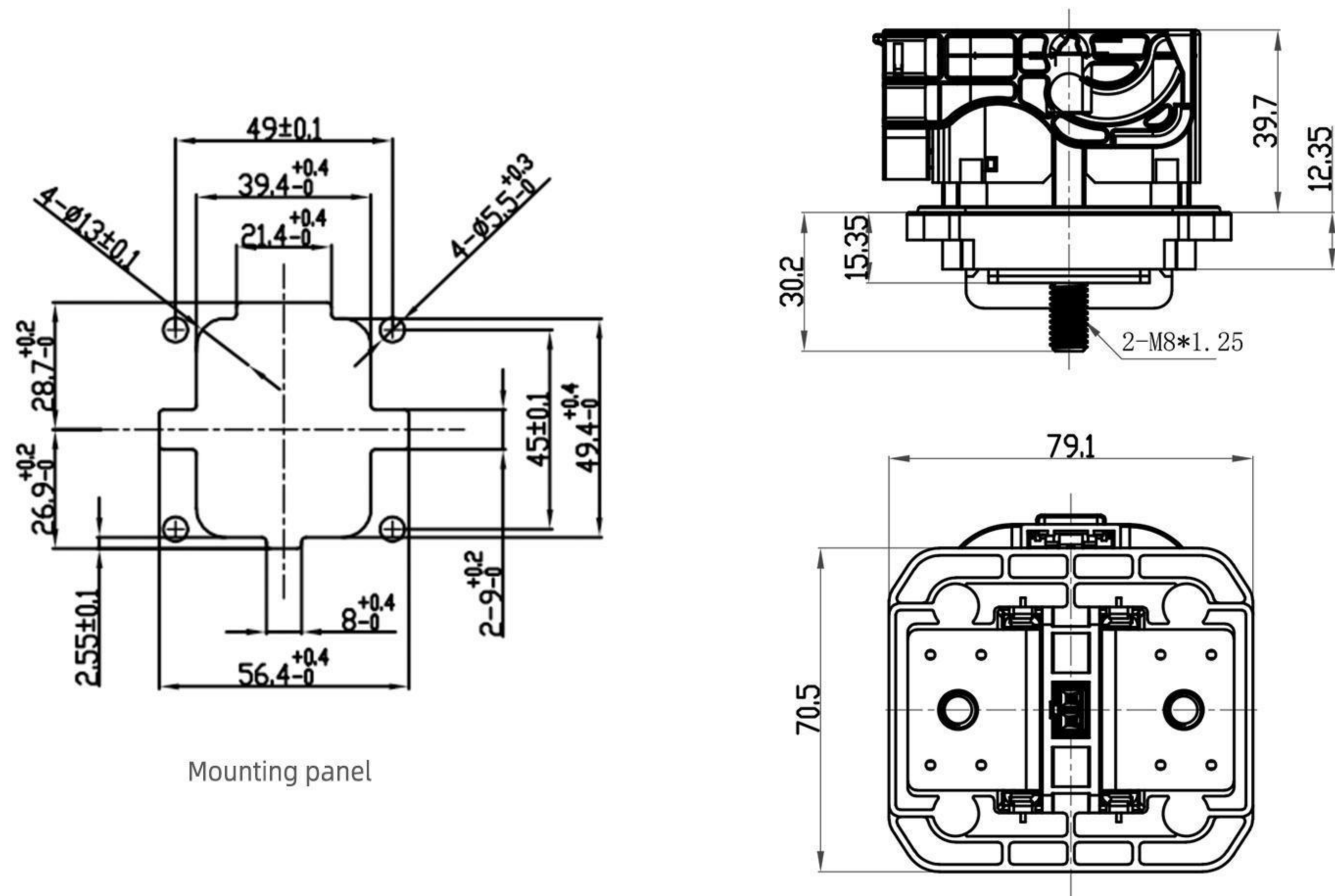


Product Features	
Plug	Mechanical assist design for easy operation
Receptacle	Arc resistant and waterproof design
Connection	With lever lock design
Loose	With CAP Structure, Safety protection
Protection	Anti-contact finger protection against misinsertion

Technical parameters

Material	PA66 / High Conductivity Copper Plated with Silver	Rated voltage	1500V DC
Resistance	≤ 0.2 mΩ (100mA)	Rated current	350A
Insulation resistance	>5000MΩ (Normal temperature and humidity)	Salt spray	NSS 96h
Dielectric strength	6800V AC / min	Environmental performance	IP67 / UL94 V-0
Plugging force	≤75N	Operating temperature	- 40°C ~ 125°C
Number of mating cycles	≥300 times	Wiring Type	nut M8/12N.m

Product dimensions

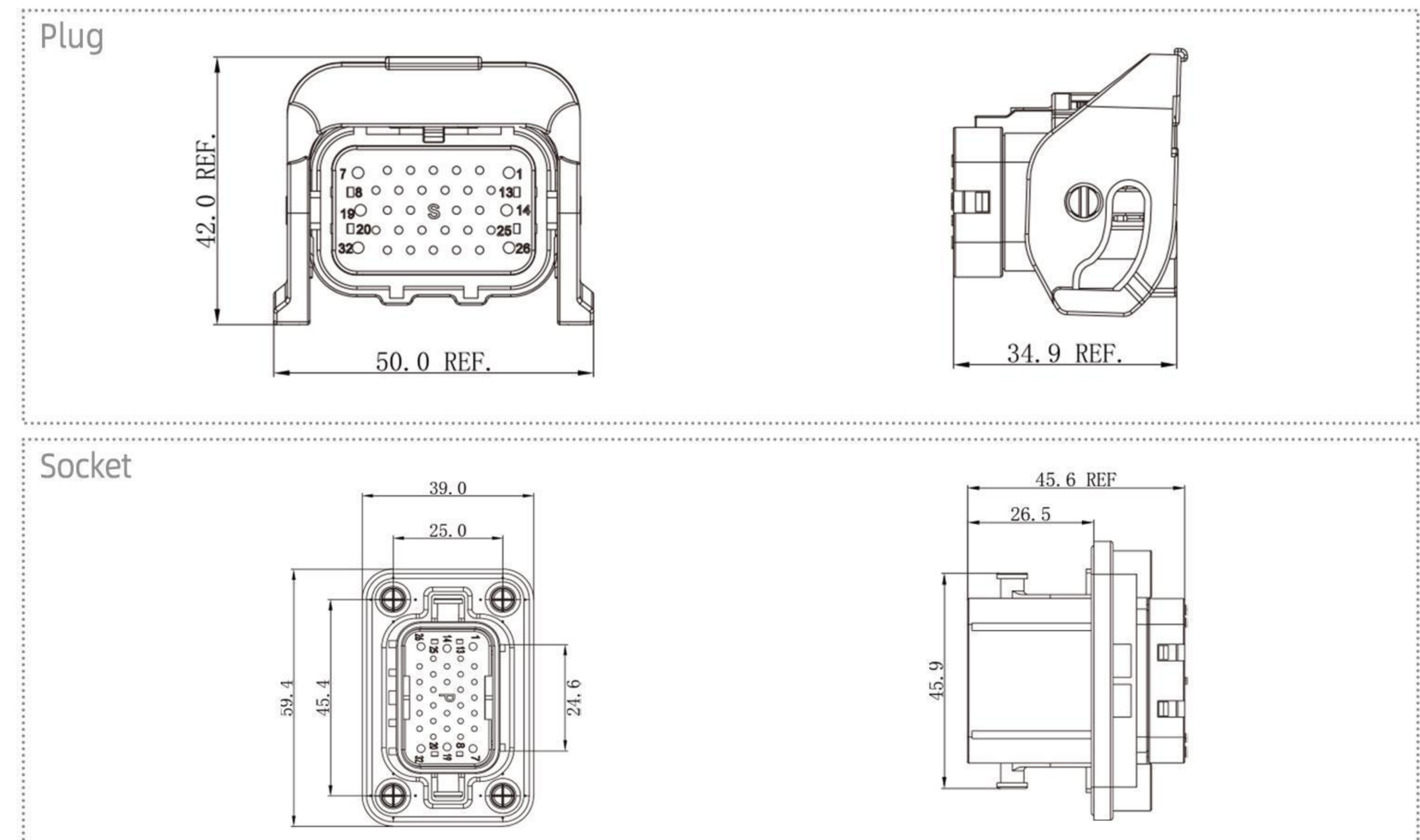


Product Features	
Volume	The product is small in size
Weight	The product is lightweight
Locking	Secondary locking
Keyway	4 keyway options available

Technical parameters

Rated current	5A / 13A Max	Number of positions	32 pins
Applicable cables	Signal pin: 18-22 AWG Power pin: 14-18 AWG	Operating temperature	-40~125°C
Rated voltage	60V DC	Flame retardant rating	UL94 V-0
Number of mating cycles	100 times/ Min	Keyway	Multiple key options available
Environmental performance	IP67 / IP6K9K	Number of mating cycles	100 times/ Min

Product dimensions



« JCPPT 2-pin plastic connector (300A) »»

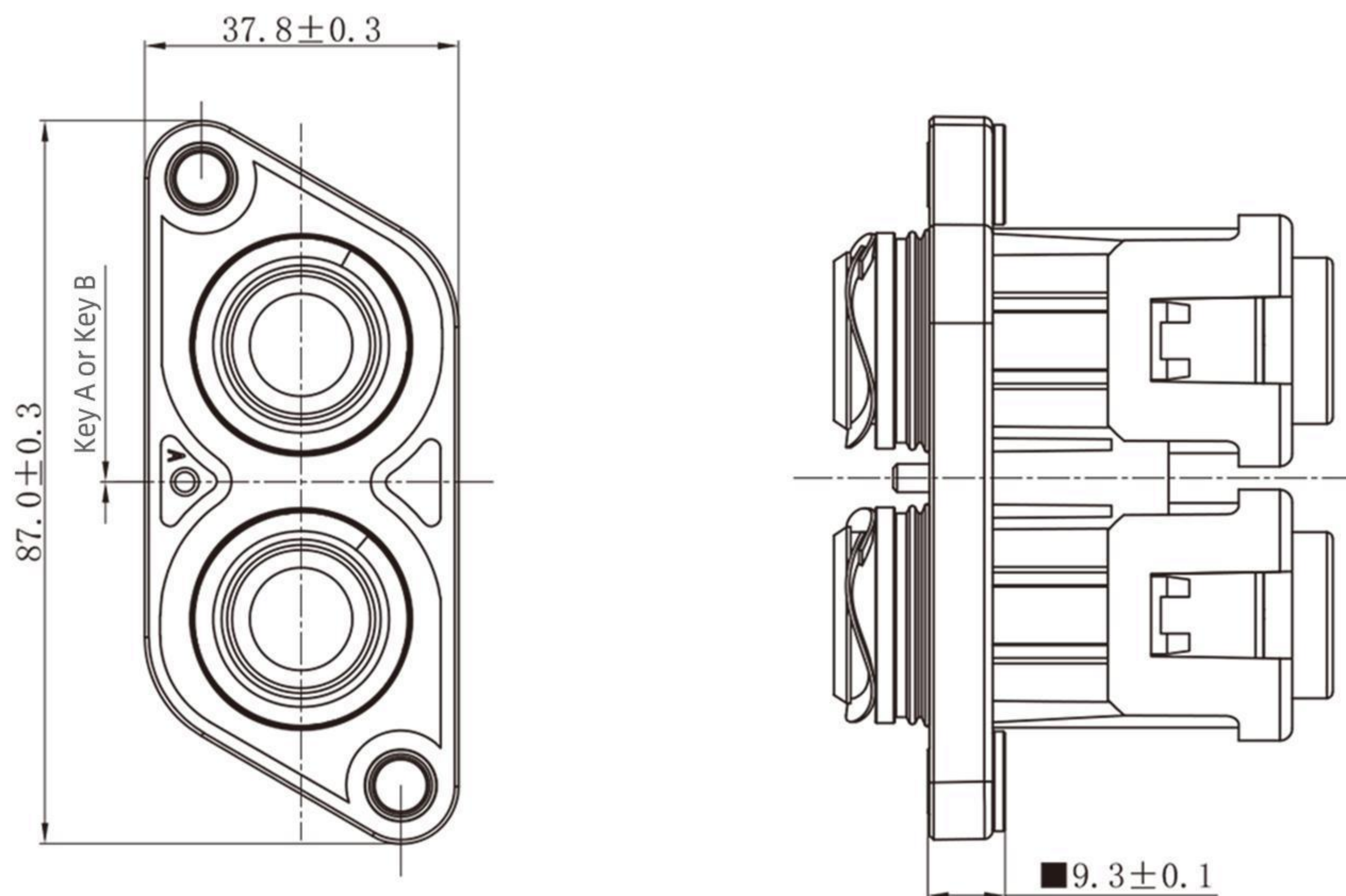


Product Features	
Shielding	360° shielding
Compliance with	Compliant with USCAR
Compatibility	Available in 2-pin and 3-pin versions, compatible with 35-70 mm ² cables
Function	Can achieve harness anti-retreat and anti-rotation functions

Technical parameters

Rated current	200A/250A/300A	Shielding	360° Shielding
Applicable cables	35mm ² /50mm ² /70mm ²	Flame retardant rating	UL94 V-0
Rated voltage	1000V DC	Operating temperature	-40~125°C
Number of positions	2 pins	Keyway	A/B foolproof keyway options available
Environmental performance	IP67 / IP6K9K	Application	Battery, PDU, MUC

Product dimensions



« JCPPT 3-pin plastic connector (300A) »»

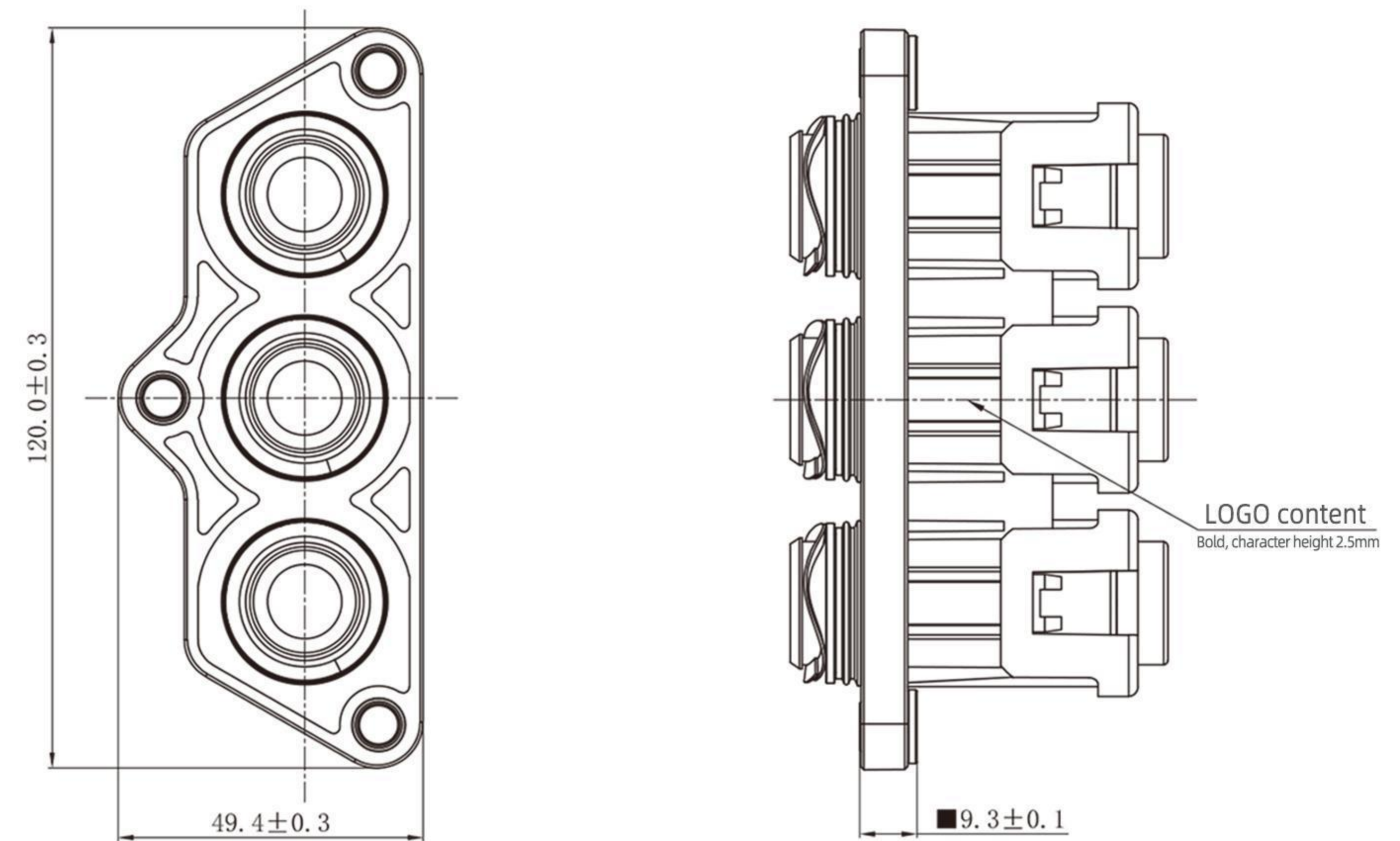


Product Features	
Shielding	360° shielding
Compliance with	Compliant with USCAR
Compatibility	Available in 2-pin and 3-pin versions, compatible with 35-70 mm ² cables
Function	Can achieve harness anti-retreat and anti-rotation functions

Technical parameters

Rated current	200A/250A/300A	Shielding	360° Shielding
Applicable cables	35mm ² /50mm ² /70mm ²	Flame retardant rating	UL94 V-0
Rated voltage	1000V DC	Operating temperature	-40~125°C
Number of positions	3 pins	Keyway	A/B foolproof keyway options available
Environmental performance	IP67 / IP6K9K	Application	Battery, PDU, MUC

Product dimensions



JCMPT 2-pin metal connector (400A)

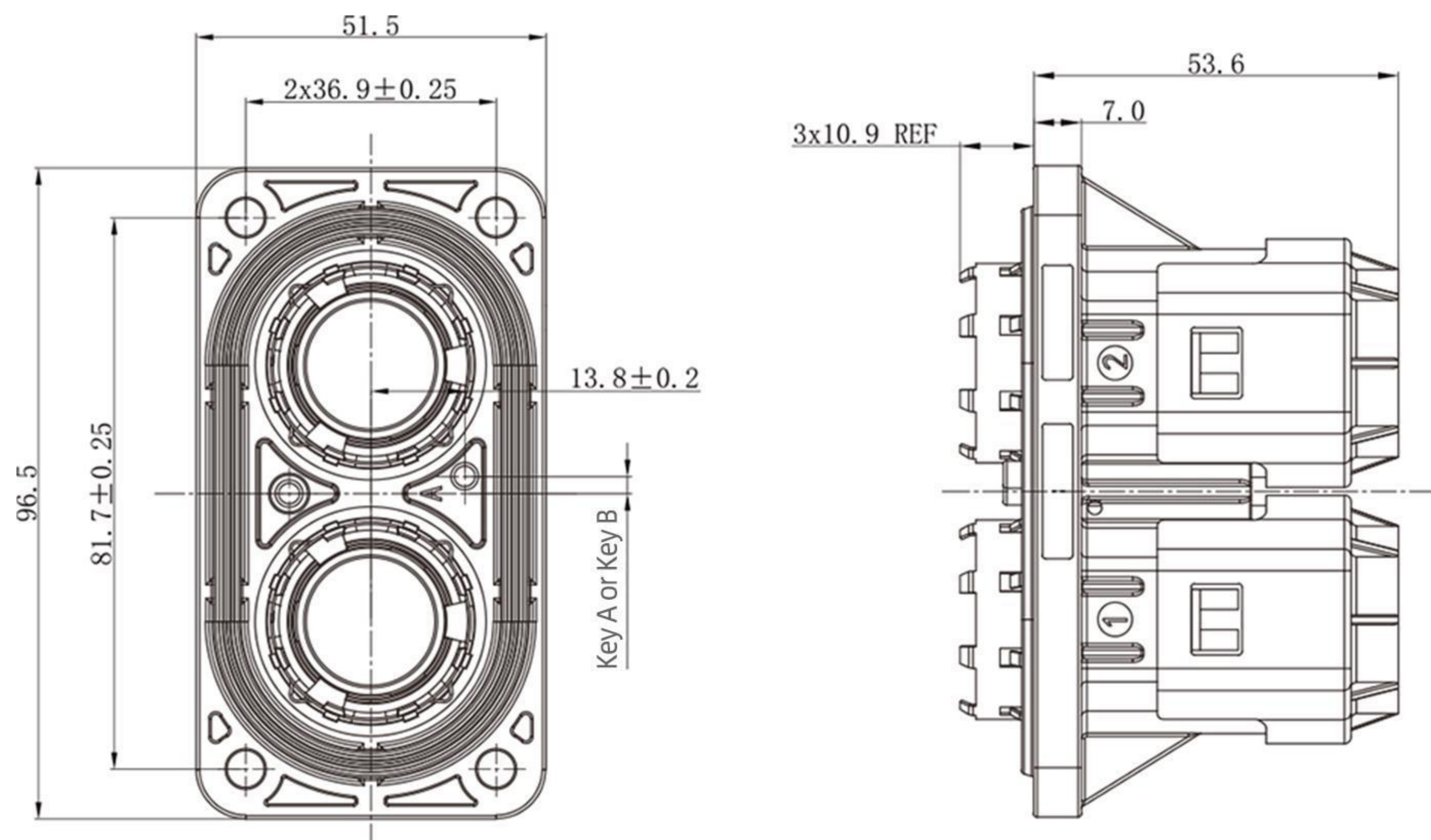


Product Features	
Shielding	360° shielding
Compliance	Compliant with USCAR
Salt spray	High-pressure Salt spray
Function	Can achieve harness anti-retreat and anti-rotation functions

Technical parameters

Rated current	300A/400A	Shielding	360° Shielding
Applicable cables	95mm ² /120mm ²	Salt spray	480H
Rated voltage	1000V DC	Operating temperature	-40~125°C
Number of positions	2 pins	Keyway	A/B foolproof keyway options available
Environmental performance	IP67 / IP6K9K	Application	Battery, PDU, MUC

Product dimensions



JCMPT 3-pin metal connector (400A)

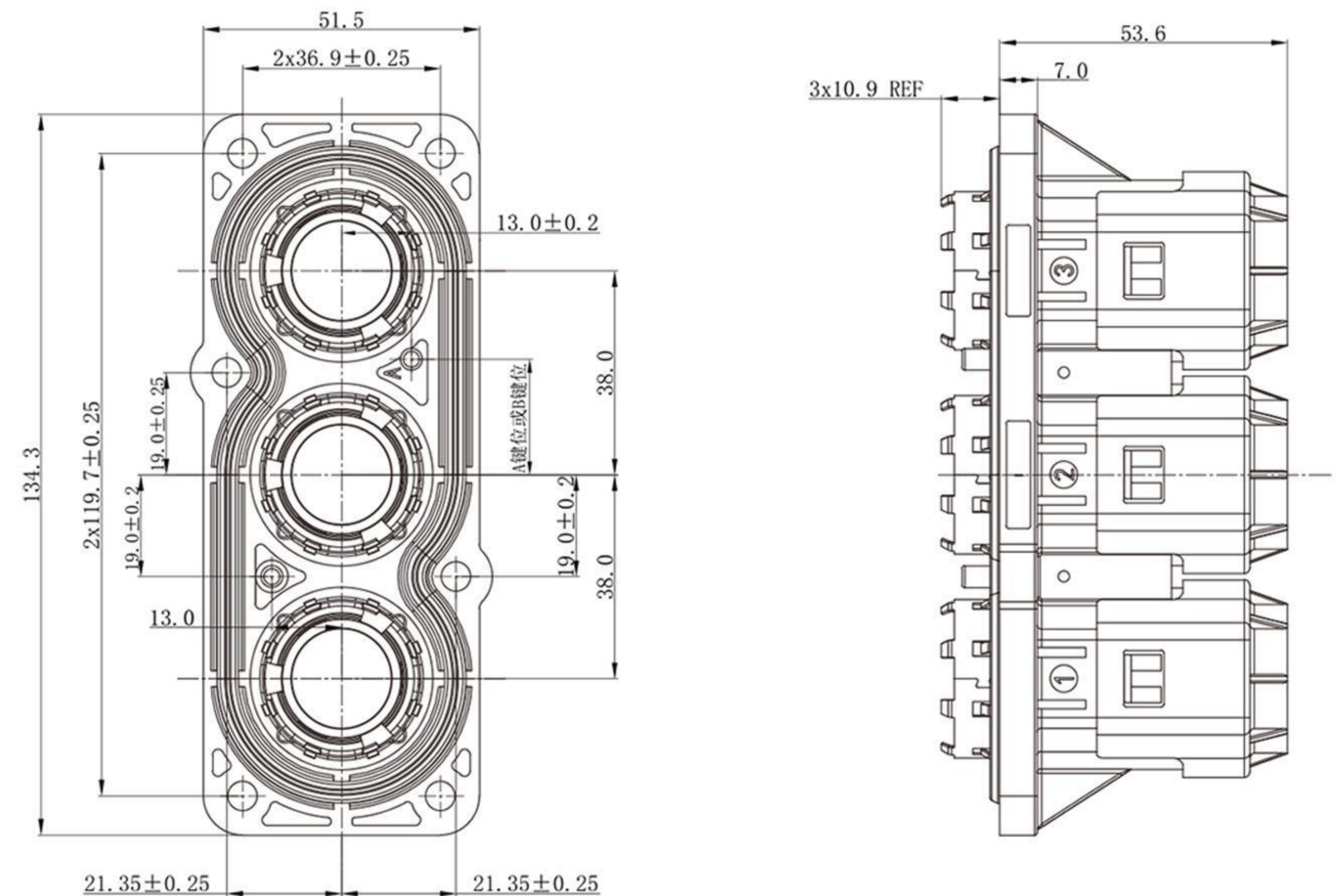


Product Features	
Shielding	360° shielding
Compliance	Compliant with USCAR
Salt spray	High-pressure Salt spray
Function	Can achieve harness anti-retreat and anti-rotation functions

Technical parameters

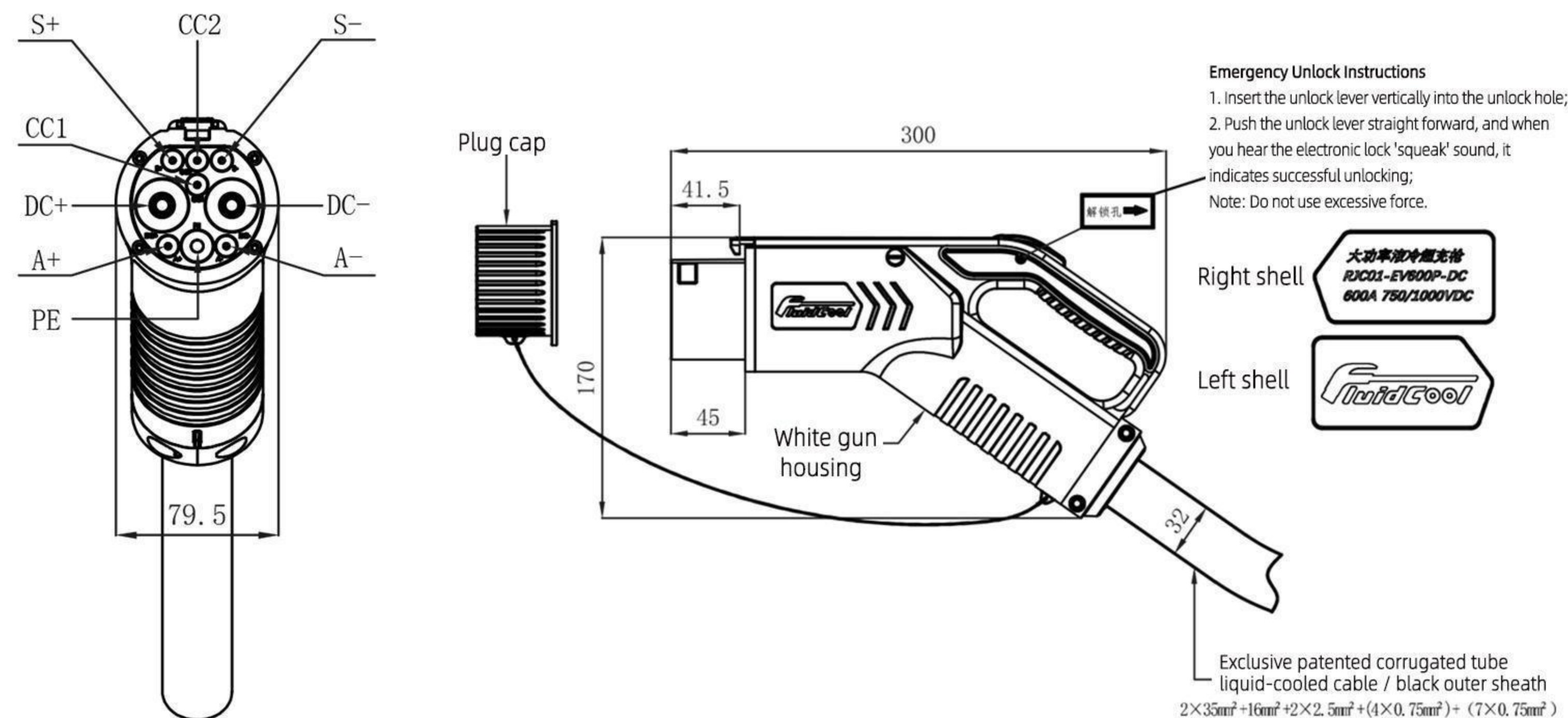
Rated current	300A/400A	Shielding	360° Shielding
Applicable cables	95mm ² /120mm ²	Salt spray	480H
Rated voltage	1000V DC	Operating temperature	-40~125°C
Number of positions	3 pins	Keyway	A/B foolproof keyway options available
Environmental performance	IP67 / IP6K9K	Application	Battery, PDU, MUC

Product dimensions





- Comply with the provisions and requirements of GB/T 20234.1/3-2023 new national standard.
- Beautiful appearance: one-piece molding, hand-held design in line with ergonomic principles, easy to plug and unplug.
- Efficient heat dissipation solution: The internal circulation of coolant within the charging gun efficiently removes heat generated during high-current charging, significantly lowering the temperature of the charging gun and cable. Compared to traditional air cooling or natural cooling, liquid cooling is more efficient in heat dissipation and can keep the charging cable operating within a safe temperature range for a long time.
- Lightweight bellows cable design, Liquid cooling technology reduces the required cable cross-section, making the charging cable lighter, more flexible, and significantly improving handling convenience.
- High reliability and long life: Extend the service life of key components such as cables and connectors through active heat dissipation. Strong anti-interference: The liquid cooling system has little impact on electromagnetic compatibility (EMC) and ensures a stable charging process.
- Safety enhancement: overheating protection: real-time monitoring of temperature to avoid risks such as short circuit and fire caused by high temperature. Leak-proof sealing design: The coolant lines use advanced multiple seal technology to ensure leakproof performance and prevent electrical failures.

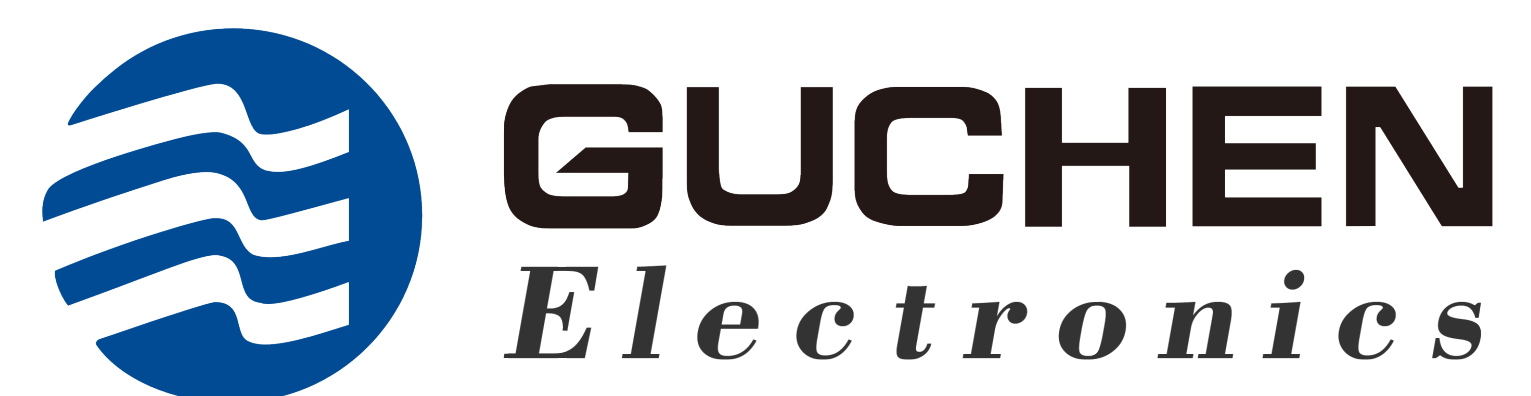


Electrical properties					
Rated charging power		400KW	600KW	800KW	
Number of power pins		3 (PE, DC+, DC-)			
Rated operating voltage		750/1000V DC			
Rated operating current		300-400A	400-600A	600-800A	
Protection rating		Gun housing IP67, IP55(Mated condition)			
The rated current of the power contact	Current capability at an ambient temperature of 40°C		450A	720A	850A
	Cooling system power (Depending on the cable length)	3.5m	1062W	1362W	2531W
		5m	1517W	2120W	3900W
	Coolant flow		4.2L/min	4.2L/min	4.8L/min
	The diameter of the Cable		28mm	32mm	35mm
	Working pressure		≤0.5MPa	≤0.5MPa	≤0.6MPa
Mechanical properties		Environment & Materials			
Pull-out force	<140N	Pins	Copper alloy with silver plating		
Insertion force	<140N				
Mechanical Life	No-load plugging and unplugging > 10000 times	Environmental performance	-30°C ~ +50°C		
Anti impact pressure	Can withstand a 1-metre drop and 1-tonne vehicle crushing at an ambient temperature of -30 °C. The test method refers to GB/T 20234.1	Housing material	Thermoplastic, Flame retardant rating UL 94 V-0		



Our company has perfect product development and manufacturing capabilities, and can meet the differentiated needs of customers by adjusting or customizing existing products to develop new products according to application scenarios and customers' special requirements for performance and models. At the same time, we also have the ability to develop synchronously, participate in the project, provide full-process services, achieve the customer's consistent understanding of the product goal, improve the efficiency of product design and verification, and ensure the quality and quantity of the supply in the later stage and provide better after-sales service.





深圳市固臣电子科技有限公司

SHENZHEN GUCHEN ELECTRONIC CO., LTD.

Address: 2A, Building 2, Hongji Xindu, Guanxing East Road, Longhua District, 518110 Shenzhen, China

Tel: 86-0755-28013472